



# Residential system overview



# DOCO Garage Door matrix

## Renovation

## New Building

H.R. = >70 mm  
S.R. = 45-90 mm

H.R. =>110mm  
S.R.= 45-90 mm

H.R. = >0 mm  
S.R. = >0 mm

H.R. = >40 mm  
S.R. => 0 mm

H.R. = >200mm  
S.R. = >40 mm

H.R. = >200mm  
S.R. = >80 mm

REN70

REN70

REN70

REN70

SF-200

SF-200

+ cover system

+ cover system

+ 225010 seal

SFR-200

SFR-200

+ 225010 seal

H.R. = >65 mm  
S.R. = >80 mm

H.R. = >80 mm  
S.R.= >80 mm

H.R. = >65 mm  
S.R. = >40 mm

H.R. = >80 mm  
S.R. = >40 mm

EXS40

EXS40

EXS40

EXS40

+ 225010 seal

+ 225010 seal

H.R. = >65 mm  
S.R. = >45 mm

H.R. = >80 mm  
S.R.= >45 mm

H.R. = >0 mm  
S.R. = >0 mm

H.R. = >40 mm  
S.R. = >0 mm

EXS40R

EXS40R

EXS40R

EXS40R

+ cover system

+ cover system

# REN70

## High Lights:

- Torsion Springs
- Max. 165kg
- Max. 6000 x 3000 mm
- Angle , colour Ral9010
- Lintel profile 100mm ,colour Ral9010
- Patent Easy Power-unit Hang-In system
- Tracks available in 1,5mm
- Kits and hardware boxes available



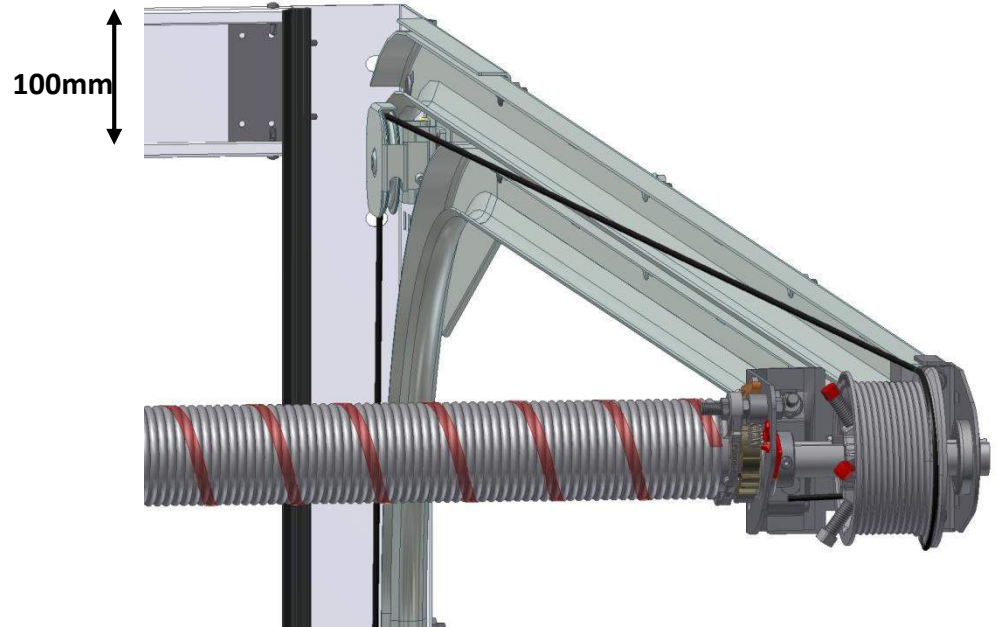
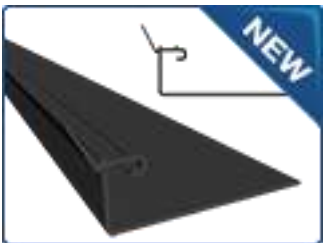
**Headroom >70 mm**  
**Side Room >45-90 mm**



**Headroom >110 mm**  
**Side Room >45-90 mm**

## Options:

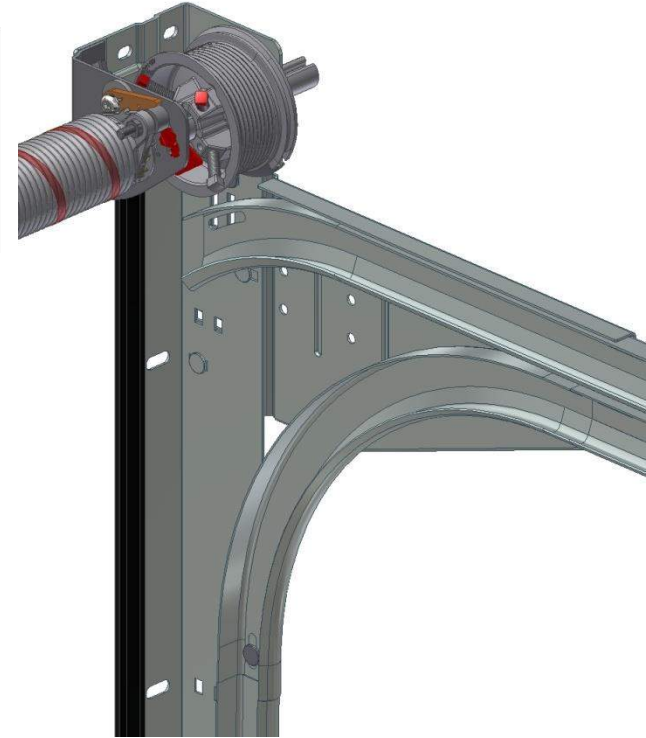
- Thermo seal (225020)



# SFR-200

## High Lights:

- Torsion Springs
- Max. 295kg
- Max. 6000 x 3000 mm
- Patent Easy Power-unit "Hang-In" system
- Tracks available in 1,5mm
- Vertical angle available in 1,5 and 2,0mm
- Kits and hardware boxes available



**Headroom >200 mm**  
**Side Room >80 mm**



**Headroom >200 mm**  
**Side Room >80 mm**

## Options:

- Thermo seal (225010)



**Headroom >200 mm**  
**Side Room >40 mm**

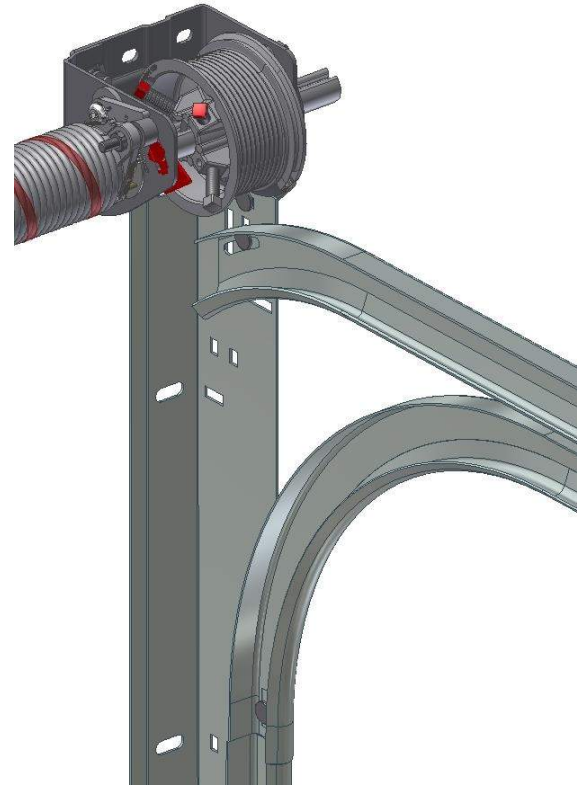
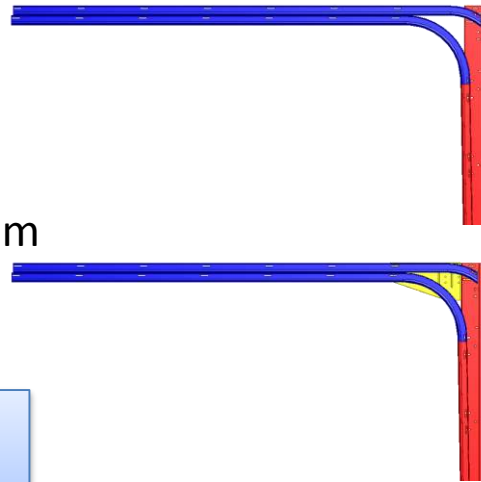


**Headroom >200 mm**  
**Side Room >40 mm**

# SF-200

## High Lights:

- Torsion Springs
- Max. 165kg
- Max. 6000 x 3000 mm
- Patent Easy Power-unit system
- Tracks available in 1,5mm
- Vertical angle available in 1,5 and 2,0mm
- Kits and hardware boxes available



**Headroom >200 mm**  
**Side Room >80 mm**



**Headroom >200 mm**  
**Side Room >80 mm**

## Options:

- Thermo seal (225010)



**Headroom >200 mm**  
**Side Room >40 mm**

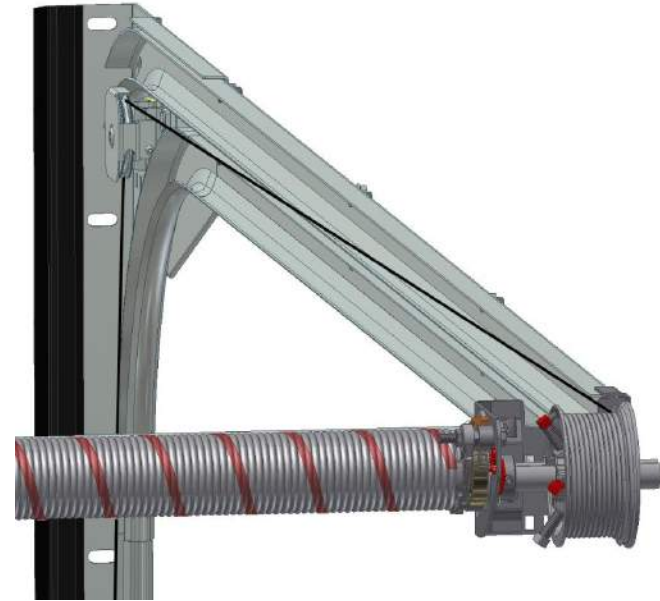
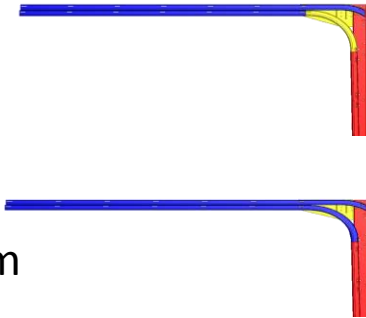


**Headroom >200 mm**  
**Side Room >40 mm**

# SRR-70

## High Lights:

- Torsion Springs
- Max. 165kg
- Max. 6000 x 3000 mm
- Patent Easy Power-unit Hang-In system
- Track-set 2 possibilities
- Tracks available in 1,5mm
- Vertical angle available in 1,5 and 2,0mm
- Kits and hardware boxes available



**Headroom >70 mm**  
**Side Room >80 mm**



**Headroom >110 mm**  
**Side Room >80 mm**

## Options:

- Thermo seal (225010)



**Headroom >70 mm**  
**Side Room >40 mm**



**Headroom >110 mm**  
**Side Room >40 mm**

# EXS-40



H.R. = >65 mm  
S.R. = >80 mm

+



225010



H.R. = >65 mm  
S.R. = >40 mm



H.R. = >80 mm  
S.R. = >80 mm



+



225010

H.R. = >80 mm  
S.R. = >40 mm



# EXS-40R

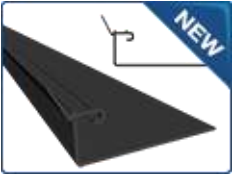
23410-xxxx      235101



H.R. = >65 mm  
S.R. = >80 mm

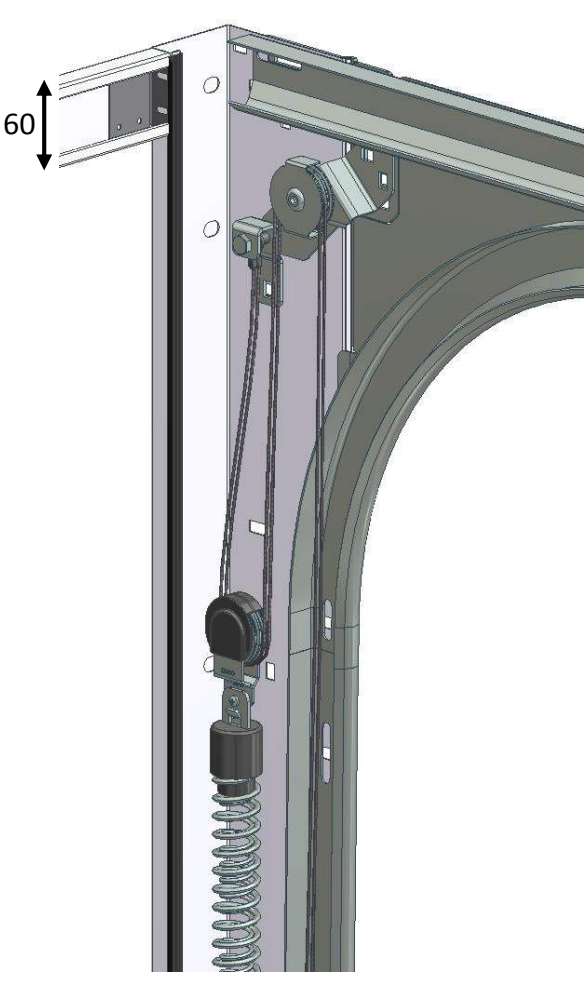
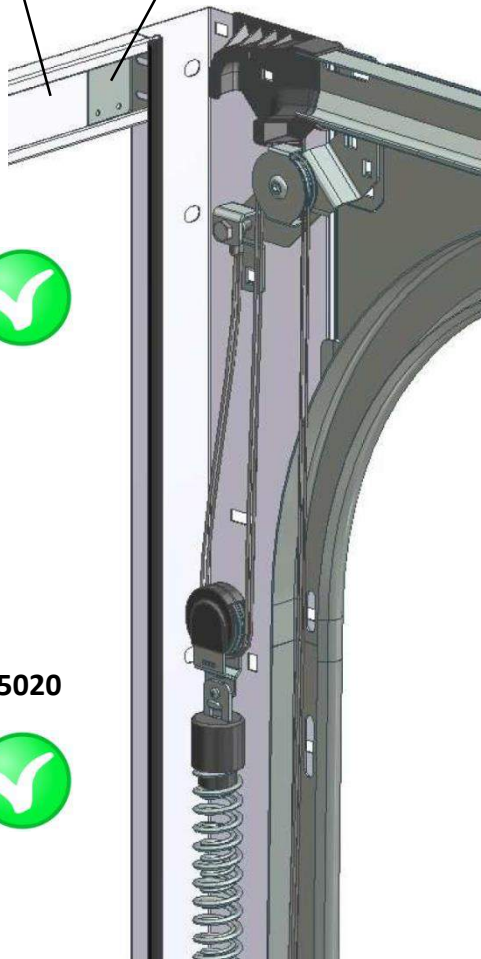


+



225020

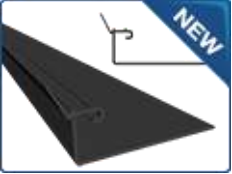
H.R. = >65 mm  
S.R. = >40 mm



H.R. = >80 mm  
S.R. = >80 mm



+



225020

H.R. = >80 mm  
S.R. = >40 mm

