

# Mounting bracket range for "twist" operators



# All brackets at a glance

The SOMMER swing gate operators move gates with a leaf weight up to 500 kg and a width of 5 m. These operators can be used in the private as well as in the commercial sector. Even gates with a maximum filling are not an issue for them. We offer you everything what makes a really good operator.

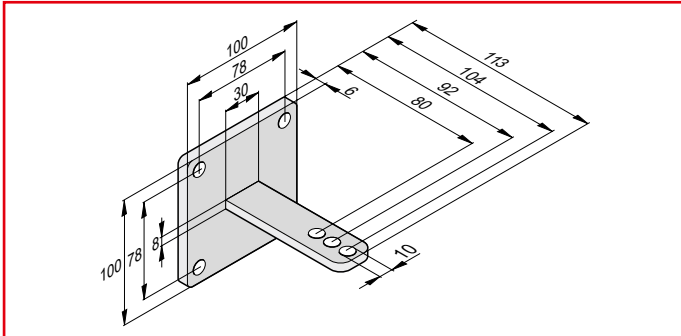
## Special installation circumstances require special brackets:

SOMMER offers you the proper bracket for almost every kind of installation. We cover most fields of application, from "hot-dip galvanised" and "stainless steel" to brackets for inclining gates.

In the event where we still don't have the one you need we will work with you to find the perfect solution.



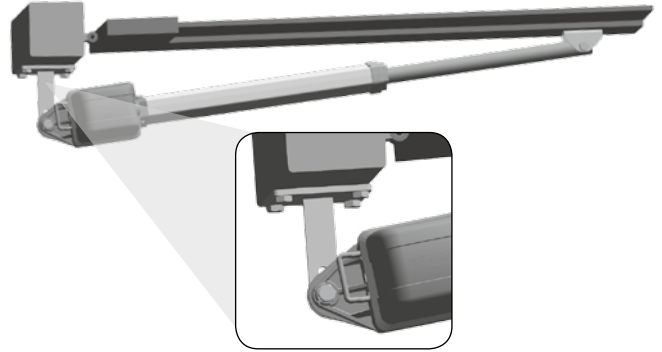
## Suitable gate post brackets for twist 200 E / EL



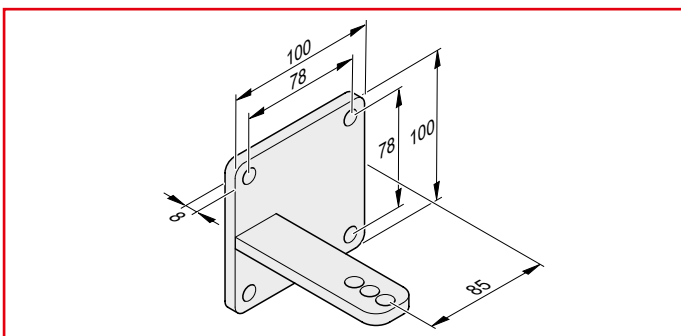
**post bracket  
50/104 Standard**

item no. 2251V000

- for left and right hand installation
- galvanised



twist 200 E / EL



**post bracket  
85/104 L+R**

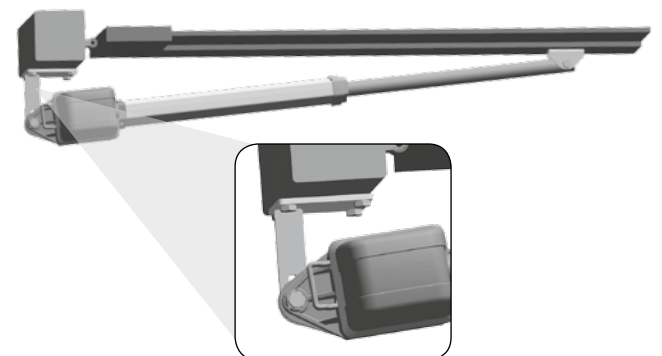
item no. 32063V001

- for left and right hand installation
- galvanised

**post bracket  
85/104 L+R**

item no. 32063V004

- for left and right hand installation
- stainless steel



# All brackets at a glance

twist 200 E / EL

## gate post bracket

60/210 L  
60/210 R

item no. 3129V000  
item no. 3129V002

- variable setting
- galvanised

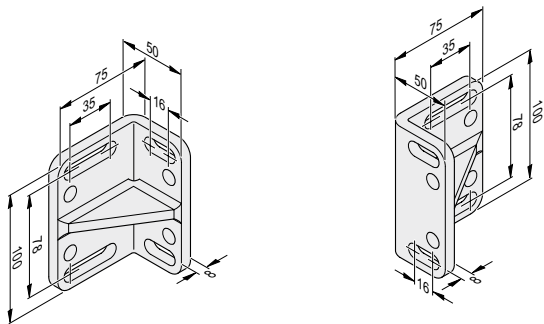
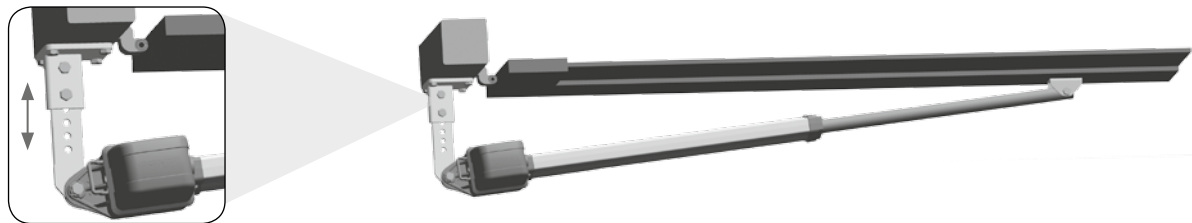
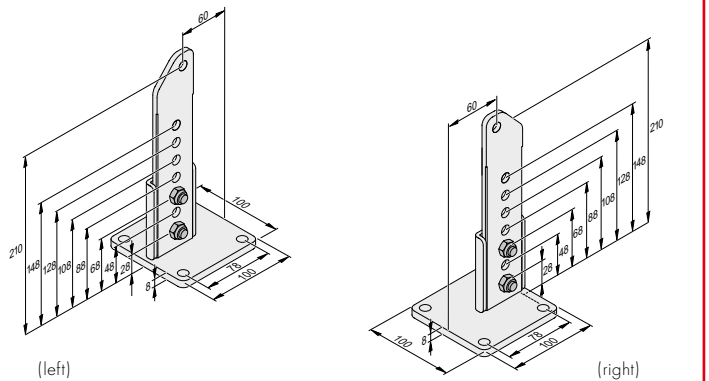
## post bracket gate post bracket with ball joint for inclining gates

60/210 L  
60/210 R

item no. 3129V001  
item no. 3129V003

- suitable to max. 10 % gate inclination (max. 120 kg)
- variable setting
- galvanised

Attention! Please consider the legal norms (e.g. EN 12453; EN 12604; EN 12605; EN 13241-1; EN 12445) and installation dimensions.



## mounting bracket for gate post bracket L+R

item no. 32066

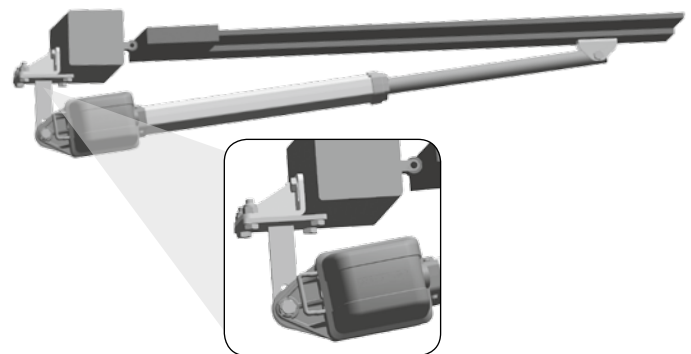
- galvanised
- welded
- only suitable with following brackets:  
item no. 3129V000, 3129V001, 3129V002, 3129V003, 2251V000, 32063V001, 32063V002 and 32063V003

## mounting bracket for gate post bracket L+R

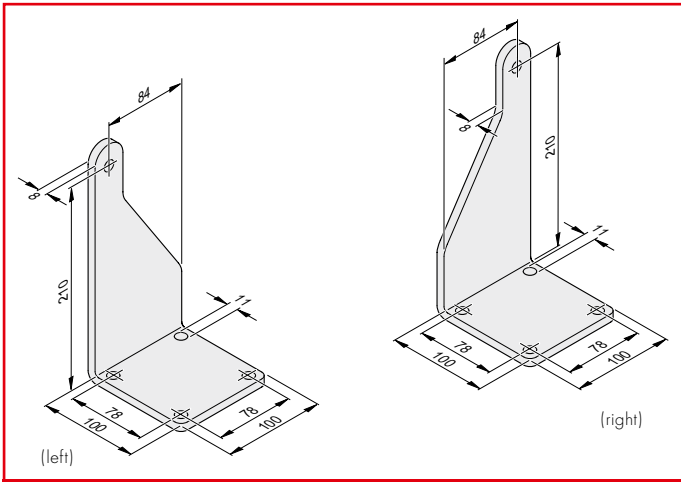
item no. 32066V001

- stainless steel
- welded
- only suitable with following brackets:  
item no. 32063V004

Exemplary installation situation:



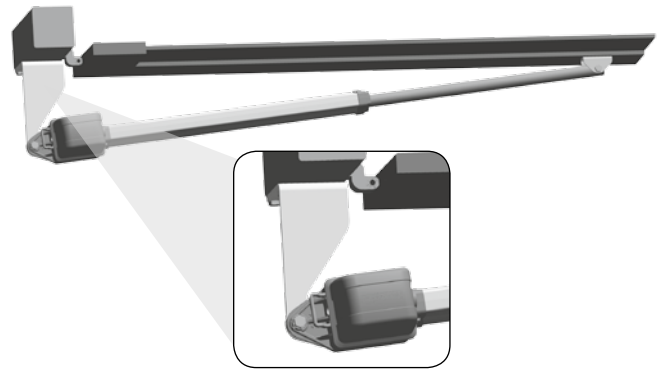
# twist 200 E / EL



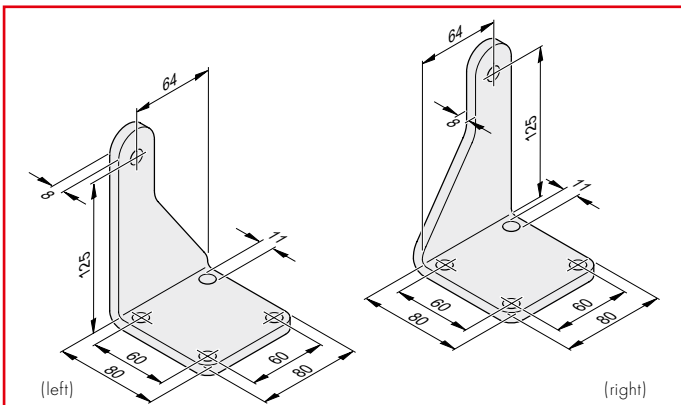
post bracket  
84/210 L  
84/210 R

item no. 32063V002  
item no. 32063V003

- hot-dip galvanised



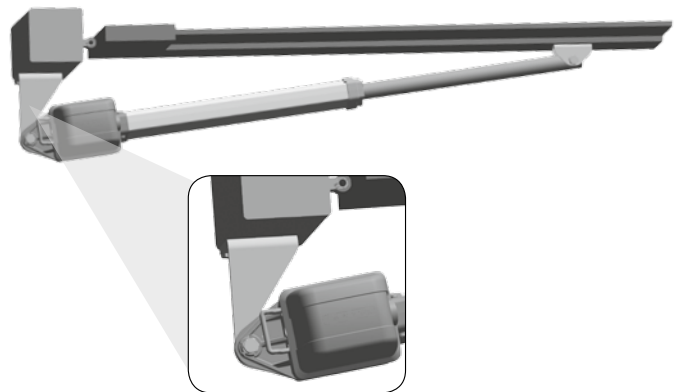
twist 200 E / EL



post bracket  
64/125 L  
64/125 R

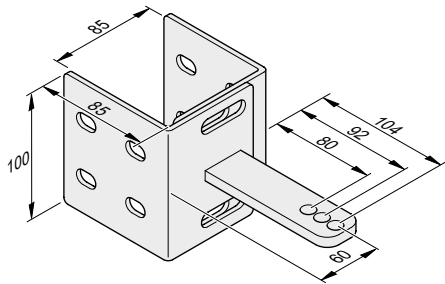
item no. 32063V174  
item no. 32063V175

- hot-dip galvanised



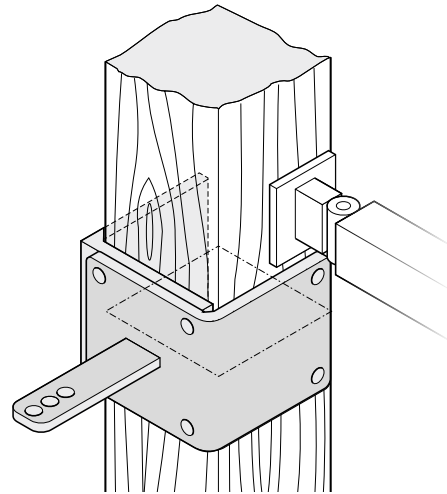
# All brackets at a glance

twist 200 E / EL

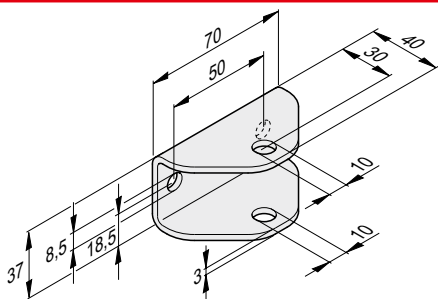


**wooden post bracket**  
**60/104 L+R** item no. 3108V000

- especially for operator installation at a wooden post
- variable setting from 90 - 140 mm post size
- for left and right hand installation



## Suitable gate wing brackets for twist 200 E / EL

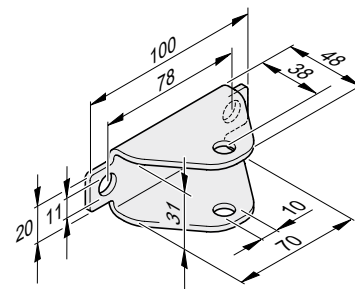


**gate wing bracket** item no. 12294V000

- for left and right hand installation
- galvanised

**gate wing bracket** item no. 12294V174

- for left and right hand installation
- hot-dip galvanised



**gate wing bracket** item no. 12294V001

- for left and right hand installation
- galvanised

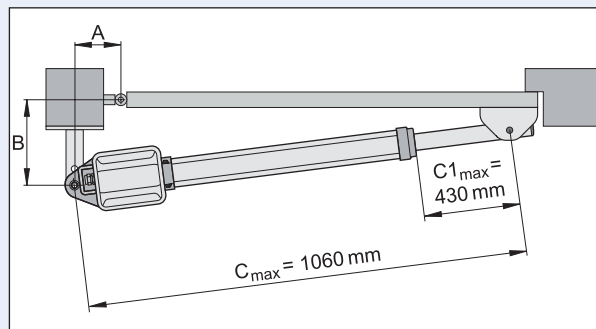
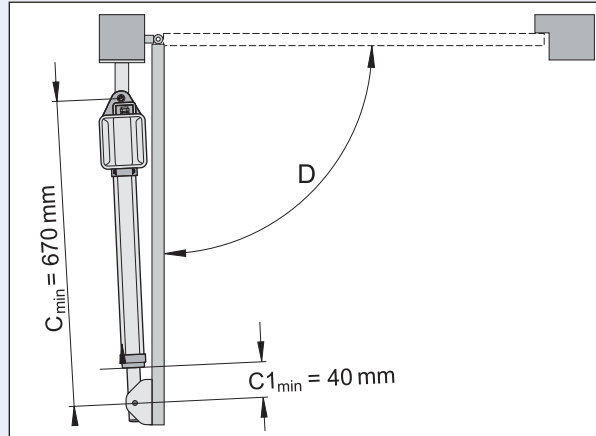
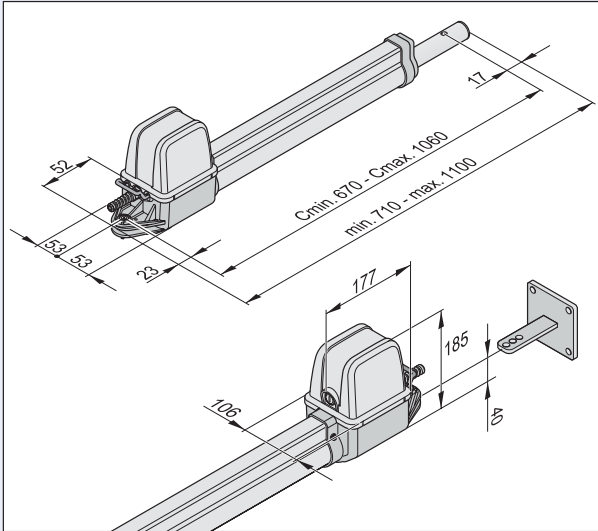
**gate wing bracket** item no. 12294V002

- for left and right hand installation
- stainless steel

**Notice:** The drilling distance at item no. 12294V001 and V002 fits to the old twist 200 E operator version (by 05/2010).

# Dimensioned drawings and installation dimensions

## Dimensioned drawings for twist 200 E



**Note:**

If B dimension  $\leq 140$  and the gate leaf exceeds 1.5 m an electric lock should be used.

Help for your project

## Installation dimensions for twist 200 E

B \ A	80	100	120	140	160	180	200	220	240	260
100	95°	105°	113°	120°	126°	129°	115°	107°	102°	98°
120	94°	103°	110°	116°	122°	117°	108°	102°	97°	93°
140	93°	101°	108°	114°	119°	109°	101°	96°	92°	
160	93°	100°	106°	112°	110°	101°	95°	91°		
180	93°	99°	104°	109°	100°	94°	90°			
200	92°	98°	103°	100°	93°					
220	92°	97°	100°	90°						
240	92°	96°								
260	90°									

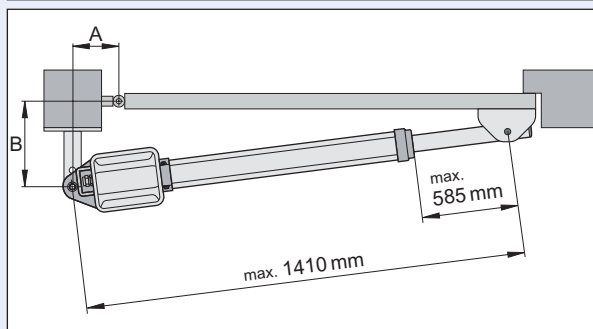
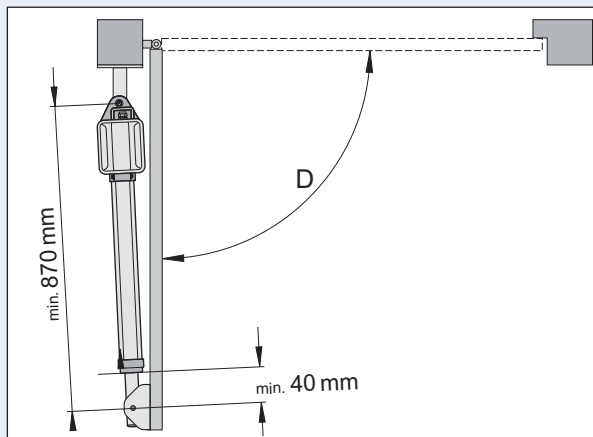
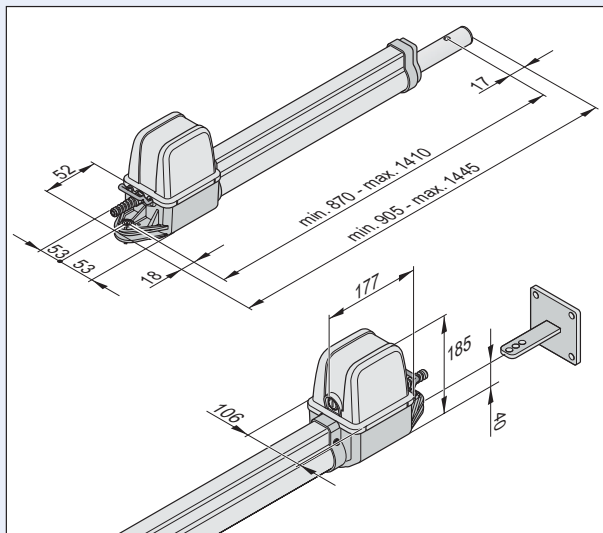
White fields: installation dimension only for horizontal gates.  
 Light blue fields: installation dimension for horizontal and inclining gates.  
**Attention!** Operation of inclining gates only with appropriate bracket, leaf weight of max. 120kg and a max. inclination of 10%.

**Note:**

Please arrange A-/B-measures before installation. Without considering A-/B-measures installation can be erroneous.

# All brackets at a glance

## Dimensioned drawings for twist 200 EL



**Note:**

If B dimension  $\leq 140$  and the gate leaf exceeds 1.5 m an electric lock should be used.

## Installation dimensions for twist 200 EL

B \ A	80	100	120	140	160	180	200	220	240	260	280
100	90°	100°	110°	120°	120°	125°	130°	135°	140°	140°	130°
120	90°	100°	105°	110°	120°	125°	125°	130°	130°	140°	130°
140	90°	100°	105°	110°	115°	120°	120°	125°	130°	135°	130°
160	90°	95°	100°	110°	115°	120°	120°	125°	130°	130°	115°
180	90°	95°	100°	105°	110°	115°	120°	125°	125°	120°	110°
200	90°	95°	100°	105°	110°	115°	120°	120°	120°	110°	105°
220	90°	95°	100°	105°	110°	110°	115°	115°	110°	105°	100°
240	90°	95°	100°	100°	105°	110°	115°	110°	105°	100°	95°
260	90°	95°	100°	100°	105°	110°	110°	100°	95°	95°	90°
280	90°	95°	100°	100°	105°	110°	105°	100°	90°	90°	
300	90°	95°	100°	100°	105°	100°	95°	90°			
320	90°	90°	95°	100°	100°	90°	90°				
340	90°	90°	95°	100°	90°						
360	90°	90°	95°								
380	90°	90°									
400	90°										

White fields: installation dimension only for horizontal gates.  
Light blue fields: installation dimension for horizontal and inclining gates.

**Attention!** Operation of inclining gates only with appropriate bracket, leaf weight of max. 120kg and a max. inclination of 10%.

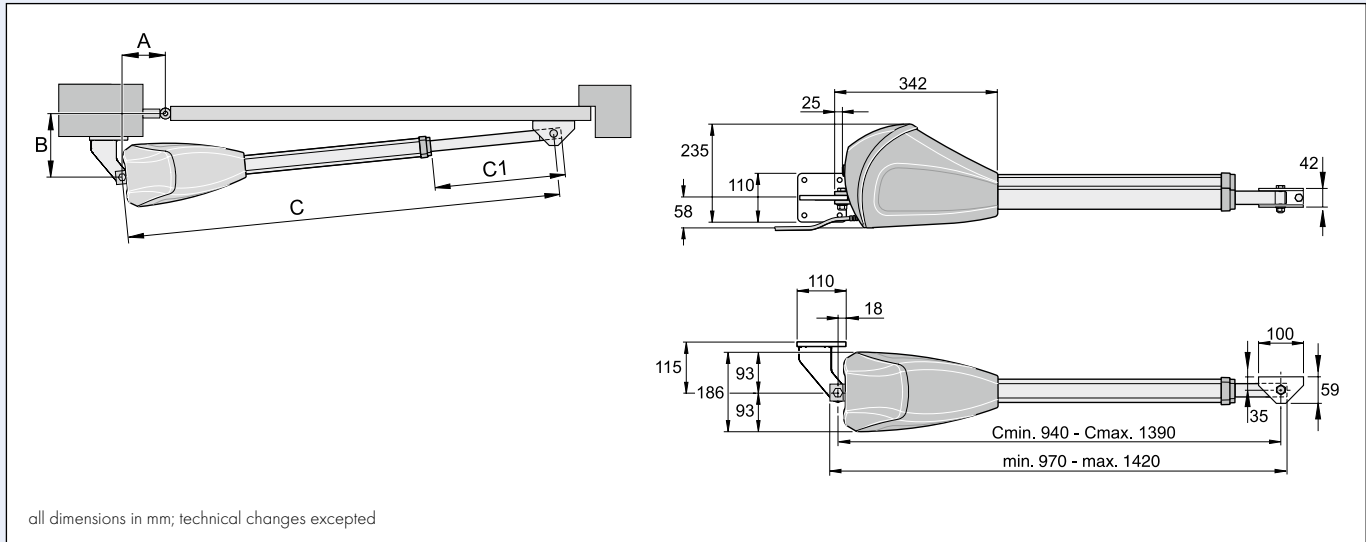
**Note:**

Please arrange A-/B-measures before installation. Without considering A-/B-measures installation can be erroneous.



# Dimensioned drawings and installation dimensions

## Dimensioned drawings for twist XL



## Installation dimensions for twist XL

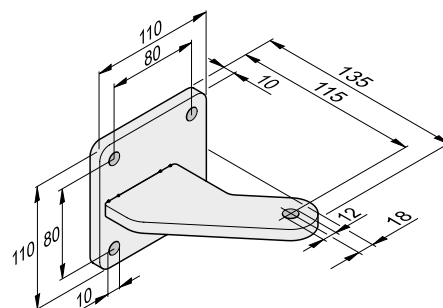
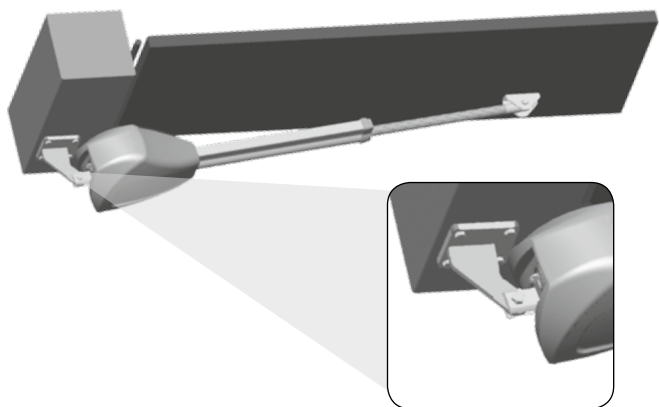
B \ A	100	120	140	160	180	200	220	max. length per gate leaf without electrical lock
160	92°							3,5 m
180	92°	98°	104°	109°				4,0 m
200	92°	97°	103°	107°	112°			4,0 m
220	92°	97°	102°	106°	107°	106°	99°	4,0 m
240	92°	96°	101°	105°	98°	98°		4,5 m
260	91°	96°	100°					4,5 m
280	91°	95°						4,5 m
300	91°	95°						5,0 m

White fields: installation dimension only for horizontal gates.  
 Light blue fields: installation dimension for horizontal and inclining gates.  
**Attention!** Operation of inclining gates only with appropriate bracket, leaf weight of max. 300kg and a max. inclination of 10%.

**Note:**  
 Please arrange A-/B-measures before installation. Without considering A-/B-measures installation can be erroneous.

# All brackets at a glance

## Suitable gate post brackets for twist XL



### post bracket 85/115 L+R set

item no. 2187V000

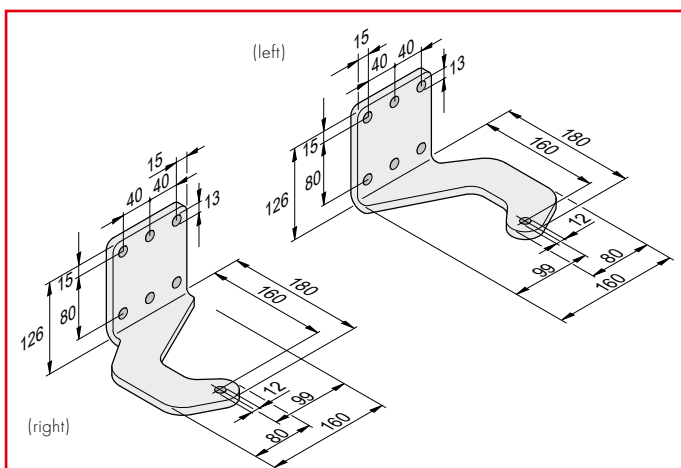
- for left and right hand installation
- galvanised
- consisting of: post bracket 85/115 L+R standard (item no. 14514V002) and mounting material

### post bracket 85/115 L+R

item no. 14514V009

- for left and right hand installation
- [stainless steel](#)

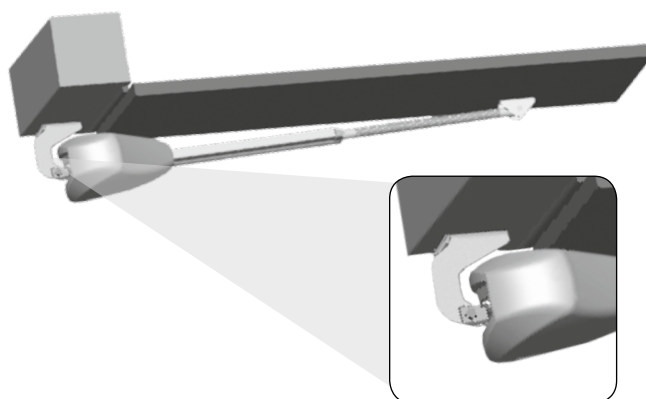
twist XL

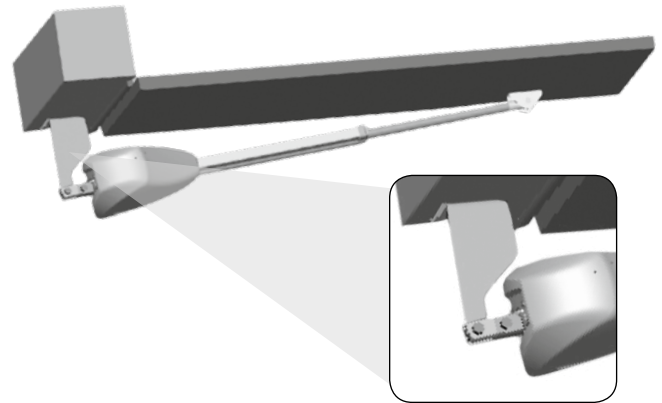
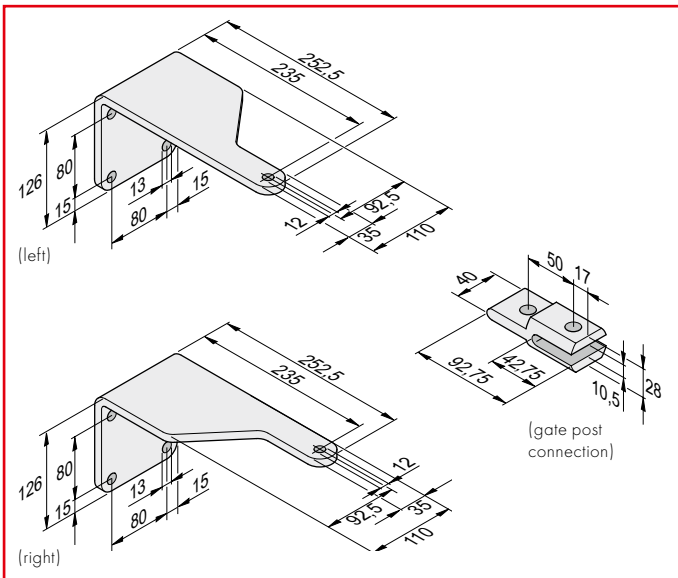


### post bracket 100/160 L 100/160 R

item no. 14514V005  
item no. 14514V006

- 160 mm, bent
- galvanised





**post bracket**  
92/235 L  
92/235 R

item no. 14514V007  
item no. 14514V008

- galvanised

**gate post connection** item no. 14525V000

- extension: 50 mm
- galvanised

**complete set**  
„left leaf“  
„right leaf“

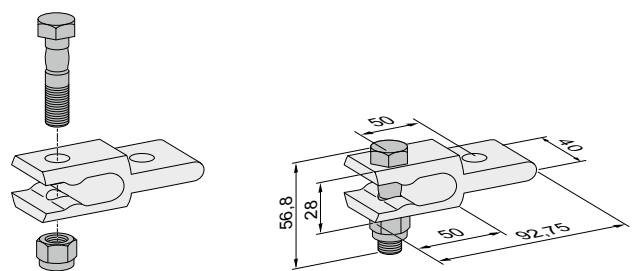
item no. 7613V000  
item no. 7614V000

- consisting of:  
post bracket 92/235 L (14514V007) or  
post bracket 92/235 R (14514V008),  
gate post connection (item no. 14525V000)  
and mounting material

**post bracket set**  
for inclining gates item no. 7634V000

- suitable to max. 10 % gate inclination (max. 300 kg)
- extension: 50 mm
- galvanised
- consisting of: post bracket for inclining gates  
(item no. 14525V001) and mounting material

Attention! Please consider the legal norms (e.g. EN 12453; EN 12604;  
EN 12605; EN 13241-1; EN 12445) and installation dimensions.



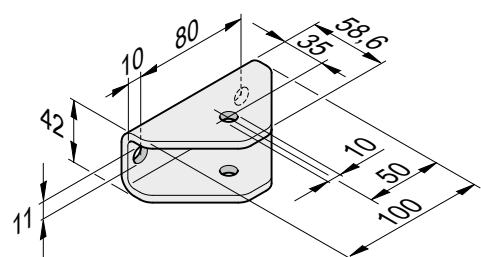
## Suitable gate wing brackets for twist XL

**gate wing bracket** item no. 14521V000

- (already included in twist XL set!)
- for left and right hand installation
  - galvanised

**gate wing bracket** item no. 14521V001

- for left and right hand installation
- stainless steel



# We are always certain to have the ideal solution.

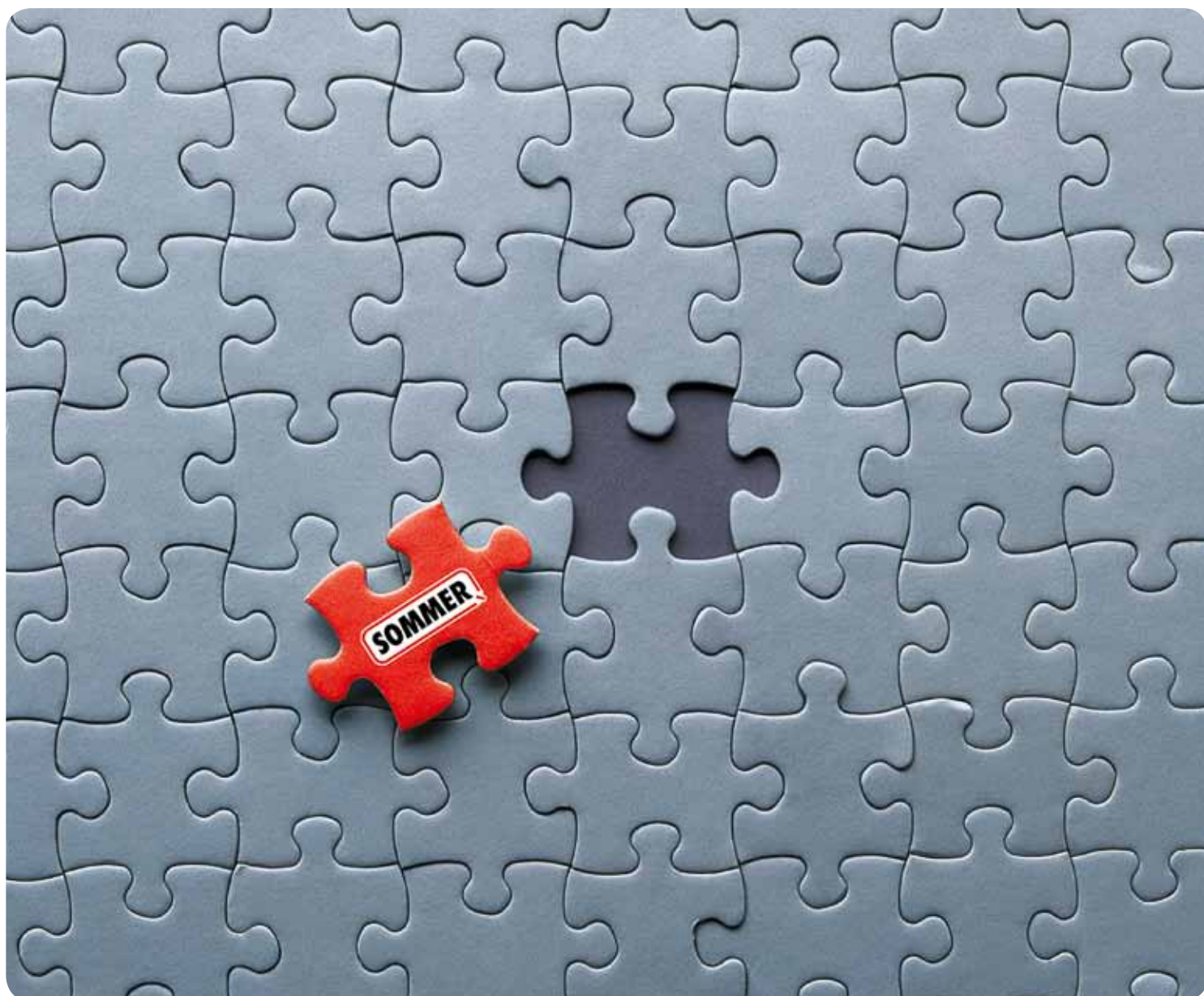
The **SOMMER** company together with their subsidiaries and partners worldwide offer you everything from one source. Our products stand for highest quality and innovative technology – **SOMMER** “Made in Germany”.

*Garage door operators  
Roller shutter operators  
Parking and blocking systems*

*Swing gate operators  
Awning operators  
Aluminium front doors*

*Sliding gate operators  
Integrated operator systems  
Home Automation*

*Industrial door operators  
Roller door control unit  
Radio control systems*



© 1812; 0,25-FLY-1812. Literal errors, errors and technical changes excepted.



Visit our homepage:  
[www.sommer.eu](http://www.sommer.eu)

SOMMER Antriebs- und Funktechnik GmbH  
Hans-Boeckler-Str. 21 - 27  
D- 73230 Kirchheim/Teck

phone: +49 (0) 70 21 / 80 01-0

fax: +49 (0) 70 21 / 80 01-101

e-mail: [info@sommer.eu](mailto:info@sommer.eu)

Your SOMMER dealer: