

CONTENTS

Product Description	1
Features.....	1
Package Contents	1
Installation Note.....	2
Installation Process.....	3
Operation Introduction	4
Usage Description on SD Card	7
USB Interface	7
Specifications.....	8
Trouble Shooting	9
Safety Warning.....	10

2.8" Color Video Electronic Peep-hole Viewer



USER MANUAL

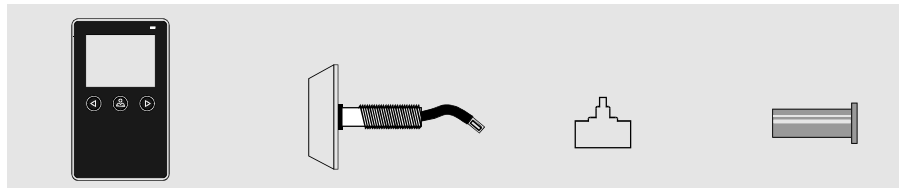
Product Description

The RL-M281 Color Video Electronic Peep-hole Viewer can be used to call and monitor outside for 24 hours, giving you the combined benefit of security and convenience. It is a product very suitable for villa, single house, hotel, office etc .

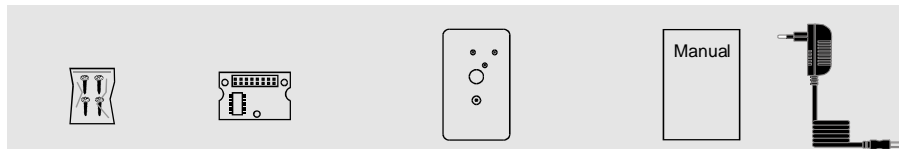
Features

- 2.8" TFT screen with low power consumption, no radiation and high definition.
- Damage-proof, water-proof, oxidation-proof and abrasion-proof panel outdoor unit.
- Ultra-thin indoor unit leads the fashion trend.

Package Contents

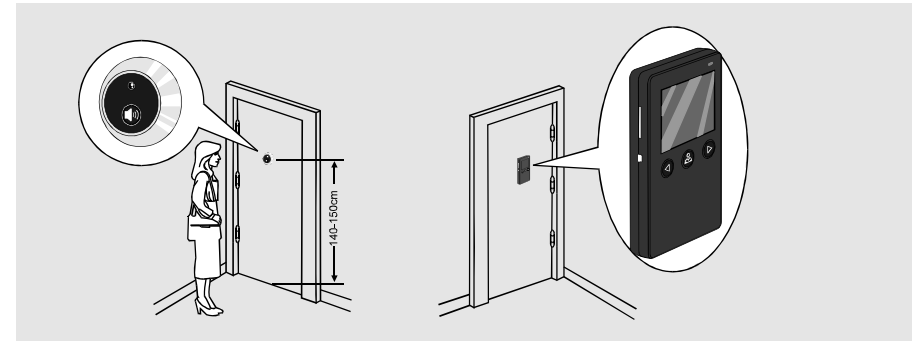


- Indoor unit X 1
- Outdoor unit X 1
- Wrench X 1
- Installation stud X 1



- Screws
- Connector X 1
- Bracket for indoor unit X 1
- Manual X 1
- Adapter X 1

INSTALLATION NOTE

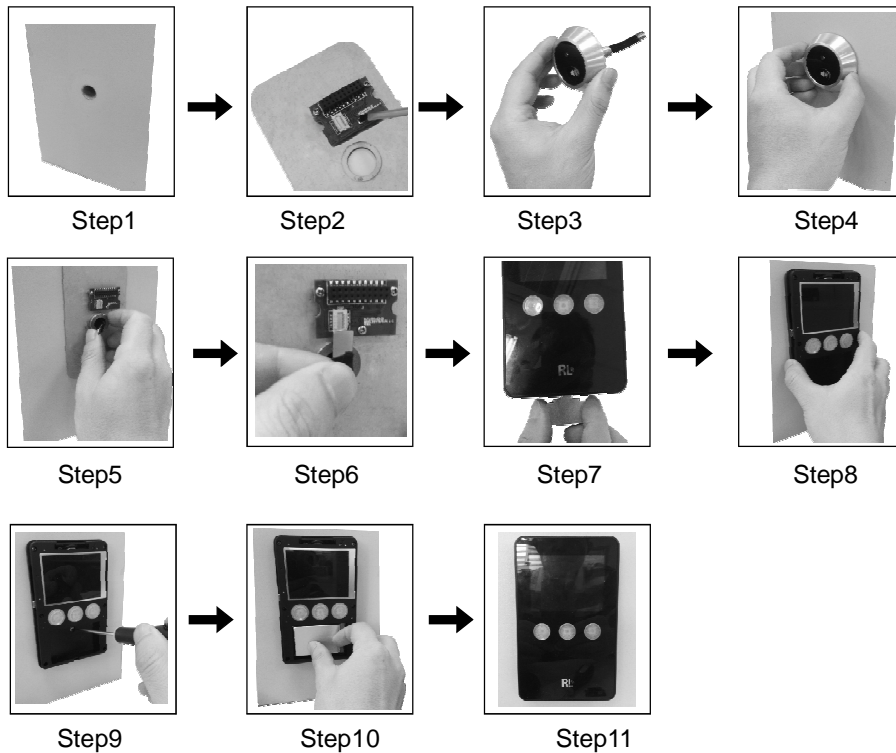


NOTE:

- Avoid hard shake , beating and collision ,otherwise the internal exact components maybe be damaged .
- Do not expose the outdoor unit to strong light or sunshine.
- Cut off the power supply before installation.
- Do not install the outdoor unit in the environment of high humidity, high temperature, dust or chemical pollution.
- Keep more than 30cm away from AC power supply to avoid external interference.
- Keep it away from water and magnetic field.

INSTALLATION PROCESS

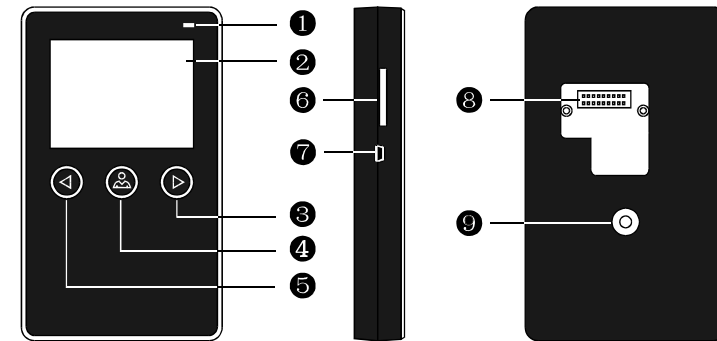
Please follow the steps below to install the units:



1. Drill a hole (D=13mm) on the door at the height of 150cm from the ground or use existing hole where Cat-eye is located.
2. Mount the external connector on the bracket by using 3 screws.
3. Screw off the installation stud.
4. Take the outdoor unit into the hole.
5. Fix both outdoor unit and the bracket with installation stud.
6. Fasten connection cable.
7. Take off the front panel according to step7
8. Push the indoor unit along the limited-slot on the bracket.
9. Fasten the indoor unit.
10. Connect with the Li-battery.
11. Put on the front panel and finish installation.

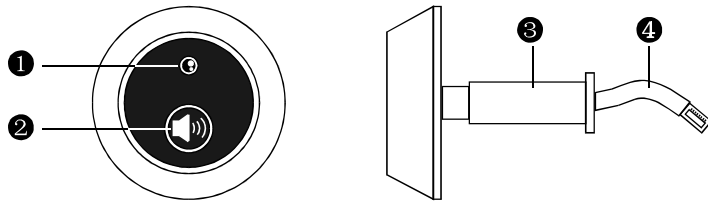
OPERATION INTRODUCTION

◆ INDOOR UNIT



NO.	Name	Descriptions
1	LED indicator	Indicating Li-battery charging status
2	TFT display	View a visitor's image displayed on TFT screen
3	Right arrow	Browse all the photos recorded on SD card
4	Monitoring button	Monitor outside
5	Left arrow	Set time and date for captured pictures
6	Extended-slot	Extended-slot for SD card
7	USB interface	Download all photos via a USB cable
8	Terminal	20-pin terminal connected to the external connector
9	Installation hole	Fix the indoor unit on it with screws

◆ OUTDOOR UNIT

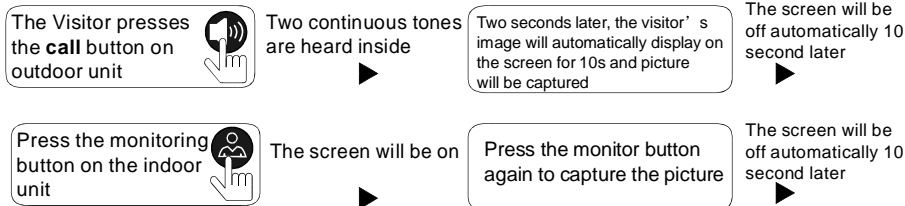


NO.	Name	Descriptions
1	Pinhole camera	Capture visitor 's image outside to send to TFT display
2	Call button	Call indoor unit by pressing this button
3	Installation stud	Keep outdoor unit mounted on the door
4	Connection cable	Connect indoor unit to outdoor unit

◆ VISITOR CALL

Monitoring mode

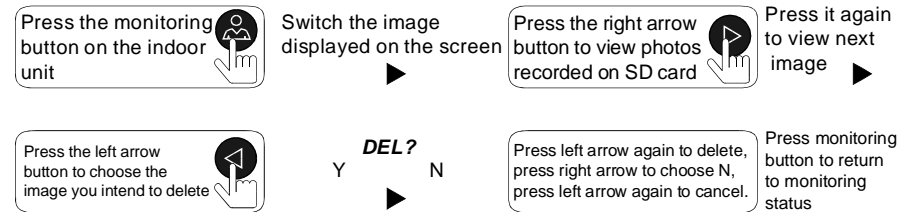
Indoor unit is in standby status



NOTICE:

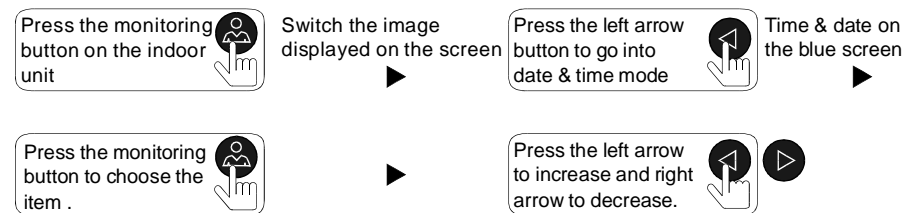
- 1.The picture can be stored in the SD card or internal memory.
- 2.The screen will display **Enable SD CARD** after the SD card is installed.
3. The system will automatically return to the standby mode if there is no operation in 10 seconds .

Browsing mode



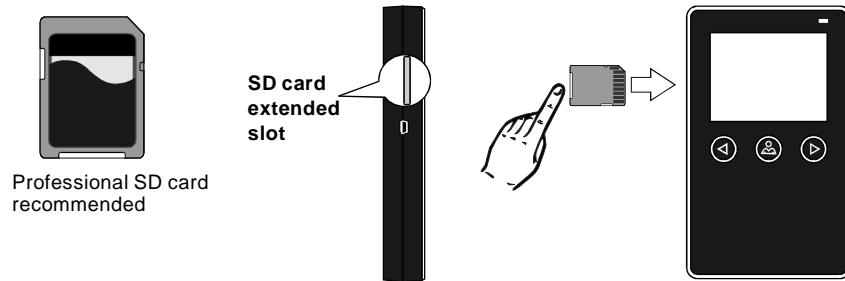
The system will automatically return to the standby mode if there is no operation in 10 seconds .

Time & date mode



- 1.This setting will stamp the time and date on a photo recorded in the SD card.
- 2.After finishing the setting and hold monitoring button for 3s to return to the monitoring mode.

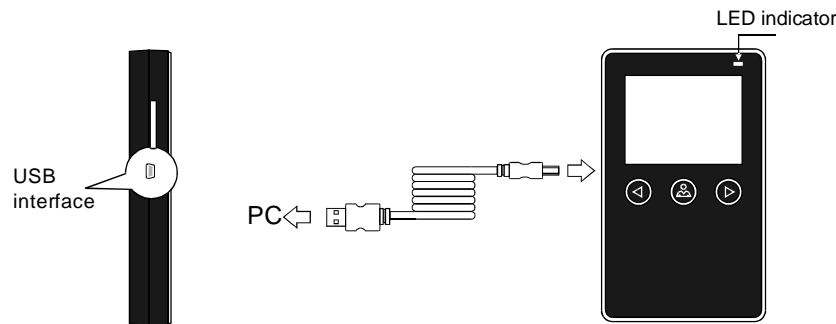
USAGE DESCRIPTION ON SD CARD



On the left side of the Indoor Unit there is an SD card extension slot for the installation of SD card. You can use a SD card to store the images. It's recommended to use professional card.

1. In standby mode, insert the card, align it with the slot (golden side facing the user), push the card gently into the device and a beep sound will be heard. Push the SD card gently again to get out the card.
2. If the unit is without SD card, the screen will show **Disable SD CARD** and images will be saved in the internal memory.
3. If the unit is with SD card, the screen will show **Enable SD CARD**.

USB INTERFACE



Note:

1. If the indoor unit is of low power, press monitoring button and image will become poor, **LOW POWER** will show on the screen and blink to indicate that it should be charged with the adapter. In charging status, two continuous tones are heard meanwhile the blue screen without image appears if the call button is pressed, it is suggested to take the indoor unit down before charging.

2. If you have the indoor unit connected to personal computer via a USB cable, you can download or view photos recorded on the SD card. Meanwhile, you can find the blue LED indicator in upper right corner to indicate the charging status.

3. If the SD card is inserted, connect the indoor unit with your PC via USB cable, double click **[my computer]**, and you will find **[portable disk H]**, double click it.



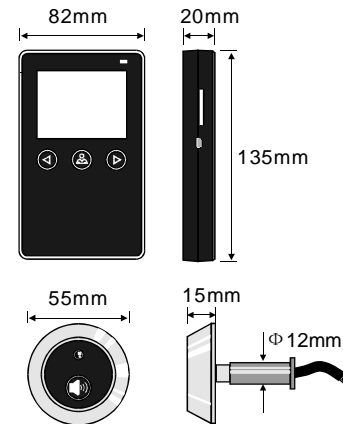
Portable disk H:

4. And now you can see the folder as below, all the photos are recorded in it:



5. Take the SD card off, and you can view the pictures recorded on the internal memory. Follow the operation steps as above.

SPECIFICATIONS



Camera	300 000 Pixels
View angle	78°
Screen	2.8"
Resolution	320 X 234
Working duration	10 seconds
working current	280mA.
Power supply	Li-battery
Battery duration	3600 h
Charging times	500 times
Picture format	JPEG standard
Picture size	80~110KB
Internal memory	<80PCS/8MB

Trouble Shooting

No Video / Audio after calling	<ul style="list-style-type: none">• Make sure all connections are secured or properly connected.• Make sure there is nothing obstructing the view of camera.• Check if the Li-battery need to be recharged.
No Audio from indoor unit when calling	<ul style="list-style-type: none">• Check if the Li-battery need to be recharged.• Make sure all connections are secured or properly connected.• Make sure neither the microphone nor speaker is interfered by strong magnetic objects.
Indoor unit fails to save images	<ul style="list-style-type: none">• Check if the SD card is in normal operation,• The capacity of SD card is full and need to delete unnecessary images.
Video faulty after calling	<ul style="list-style-type: none">• Make sure all connections are secured or properly connected.• Check if the Li-battery need to be recharged.

Safety Warning

Power adapter warning: “Only the provided power adapter can be used”

The battery disposing instruction and the waste bin symbol should be added, please find the following instructions for your reference:

- Do not dispose of electrical products in the general waste and ensure the used product or batteries are disposed safely according to the local authority and regulations.
- Battery warning: “Caution:Risk of explosion if battery is replaced by an incorrect type. Dispose of used batteries according to the instructions.”