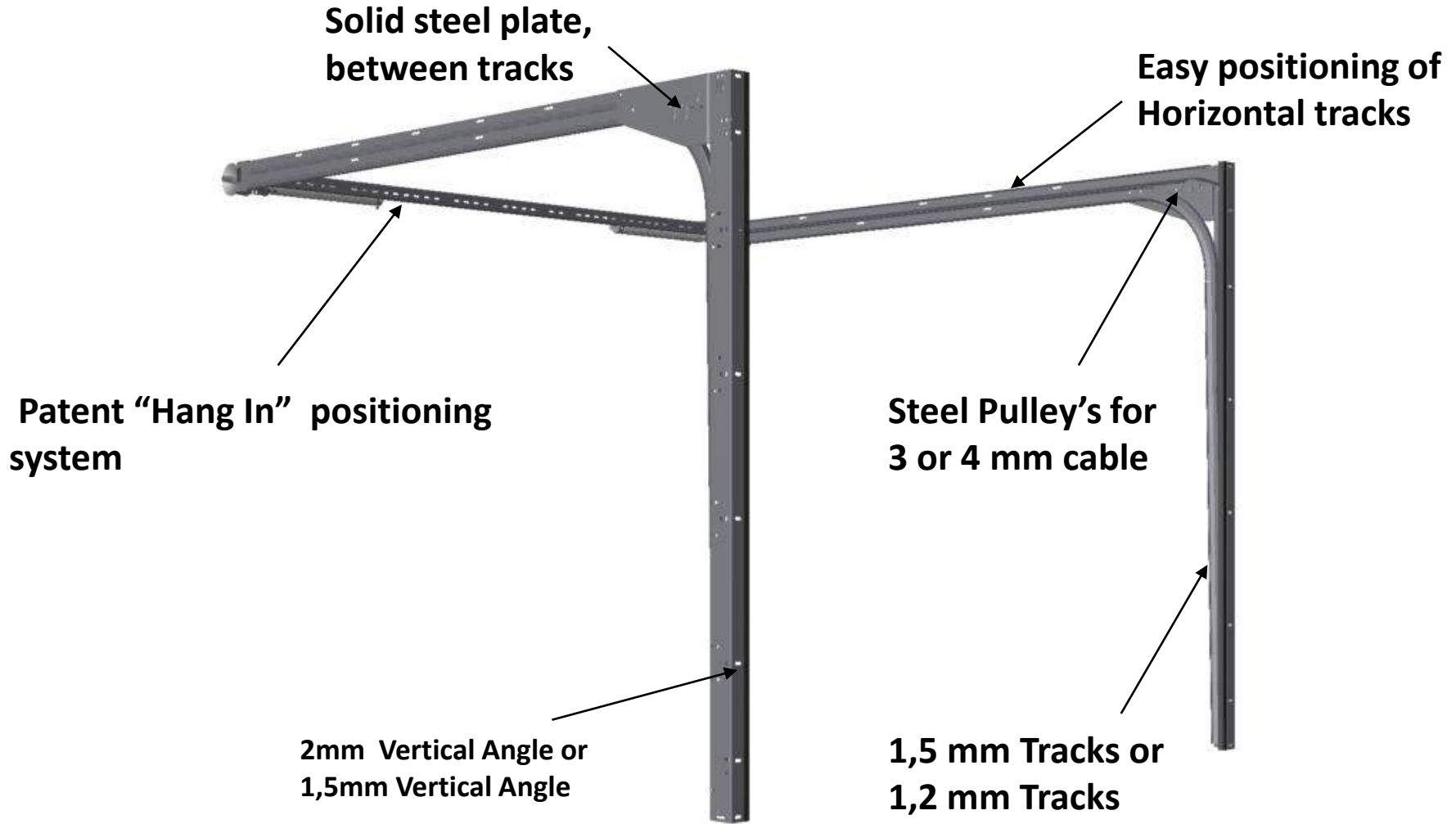




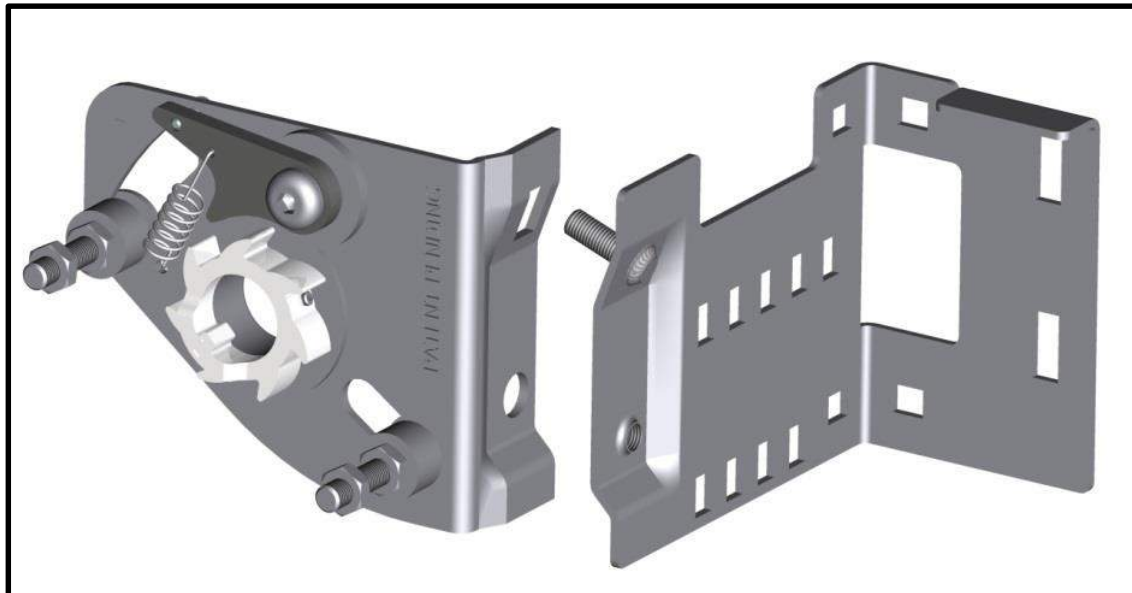
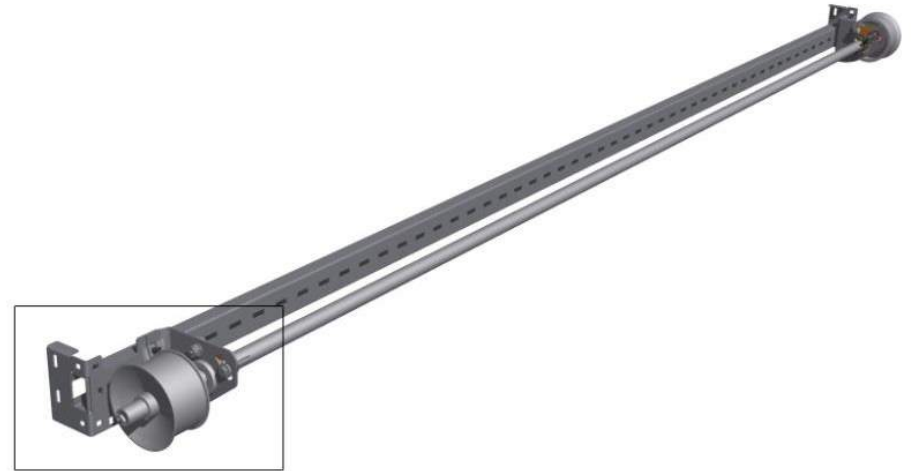
SRR-70 SYSTEM

System High-Lights



Patent Positioning System

- Easy Installation
- 1 Person installation

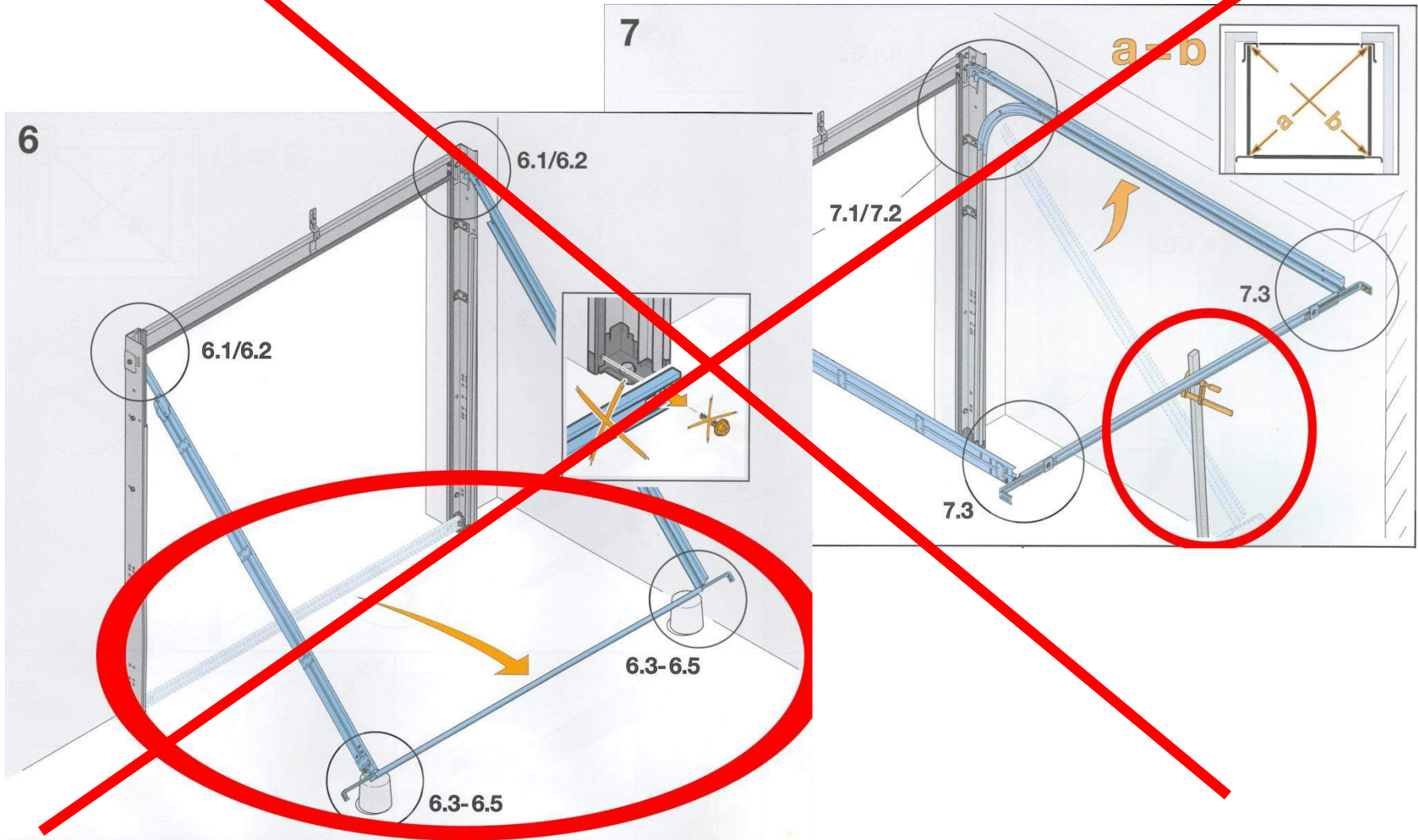


Patent Positioning System

- Easy Installation
- 1 Person installation

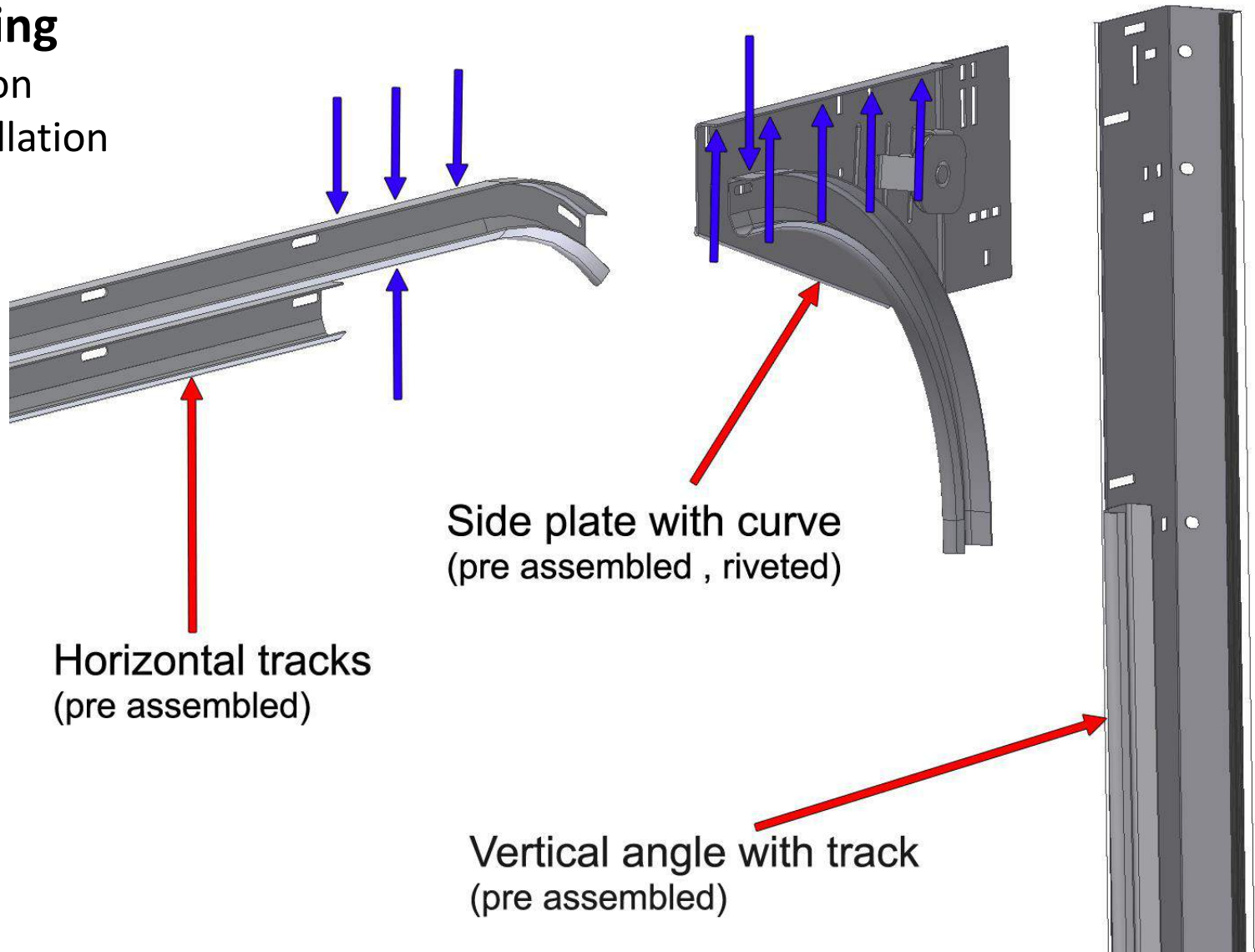


Competition fitting



Track Positioning

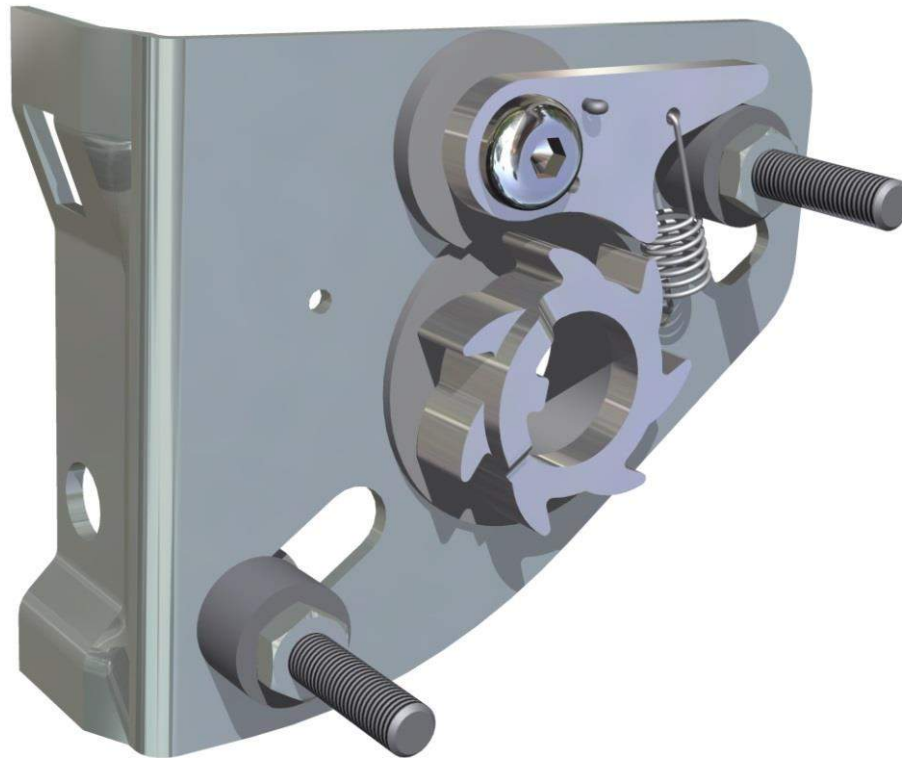
- Easy Installation
- 1 Person installation



* Shown image is from REN70 system, but working principle of the track positioning is the same for SRR-70

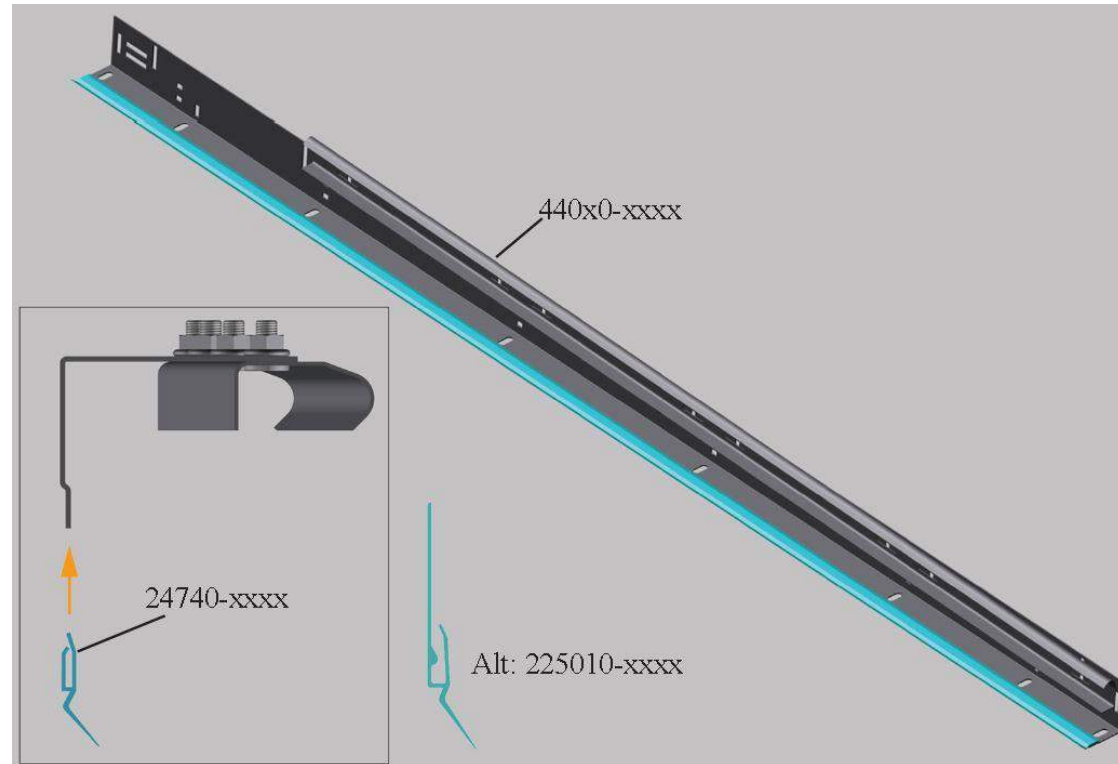
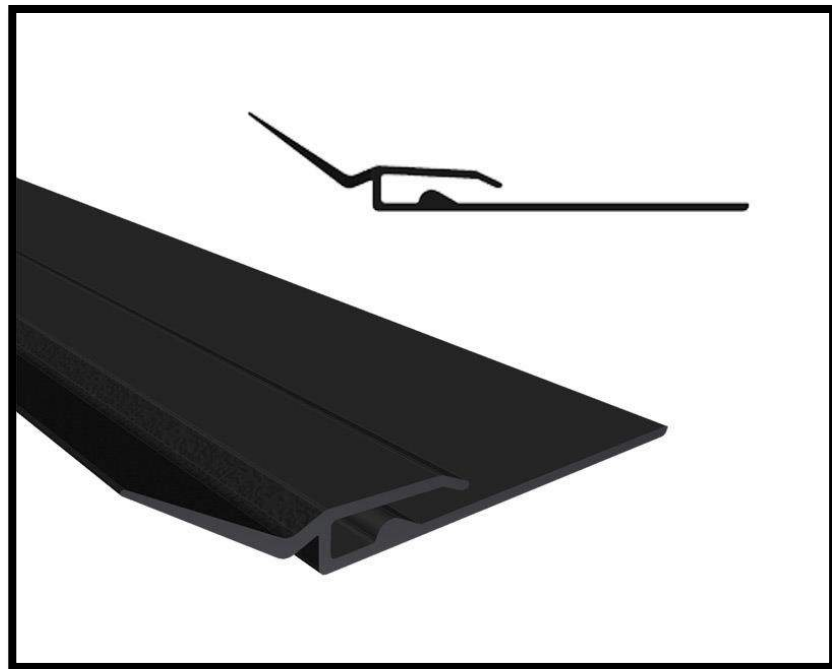
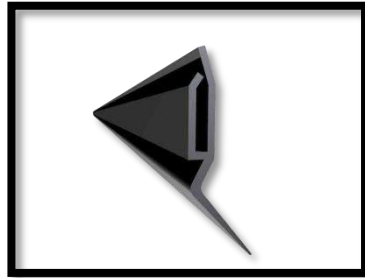
Patent Spring Break Device / Positioning System

- Universal design, for **50 AND 67** mm Springs
- Certified Moment = 60Nm (115 kg Door-weight / spring)
- Fixed Ratchet Wheel



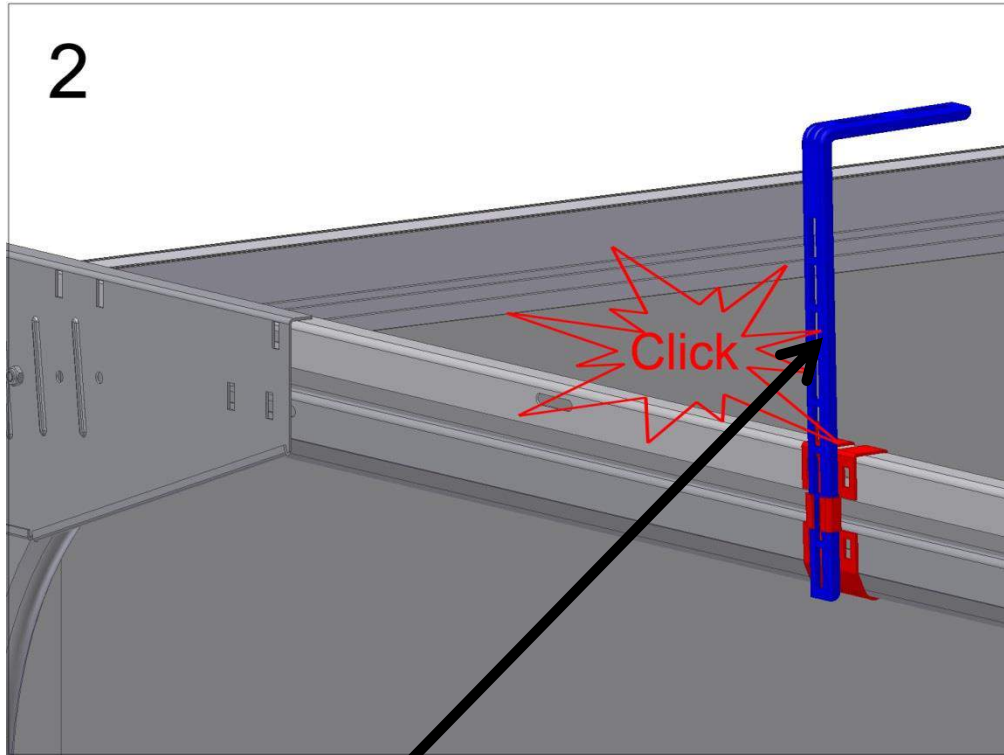
SRR-70 High-Lights

- Normal seal (24740)
- Thermal break seal (225010)

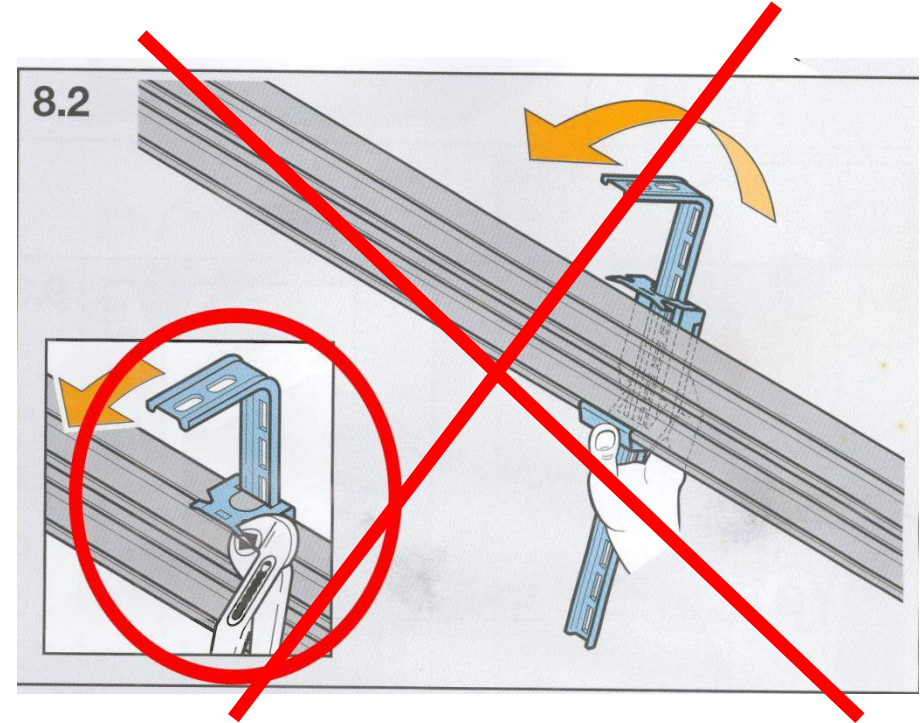


SRR-70 High-Lights

Suspension to the ceiling with "Click system"



Different lengths

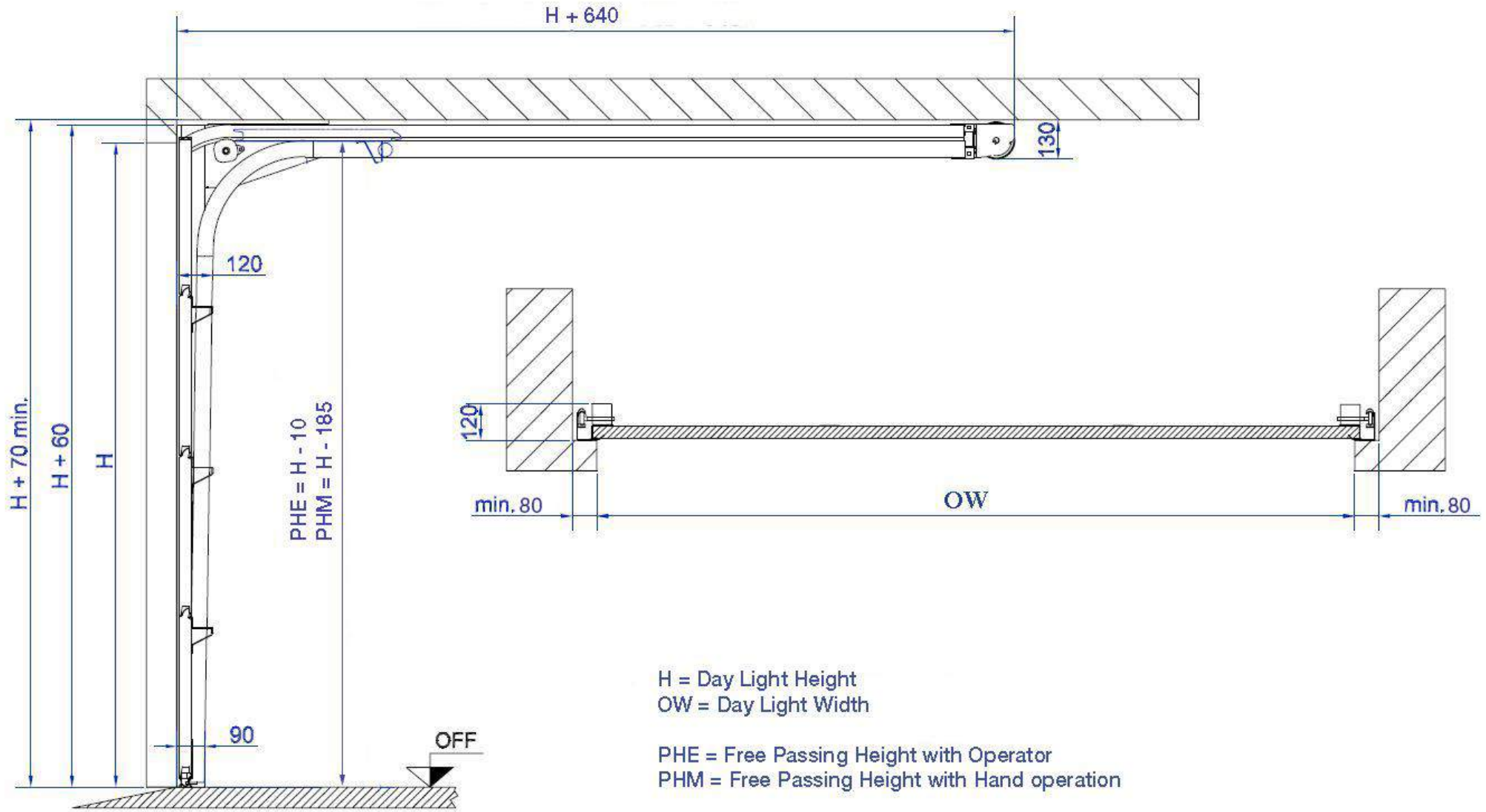


Competition: use a plier

Build in + System Requirements

Technical specifications:

- Torsion spring system
- Standard 7 height available
2000, 2125, 2250, 2375, 2500, 2750, 3000 mm
- **Every Width possible till 6000 mm**
- Headroom, manual, at standard height = **70 mm**
- Headroom, operator, at standard height = **110mm**
- Side room, **80 mm** with standard sealing system
- Side room, **52mm** with Thermal Break sealing system
- **Maximum door weight: 165 kg**



H = Day Light Height
 OW = Day Light Width

PHE = Free Passing Height with Operator
 PHM = Free Passing Height with Hand operation

System Set-up

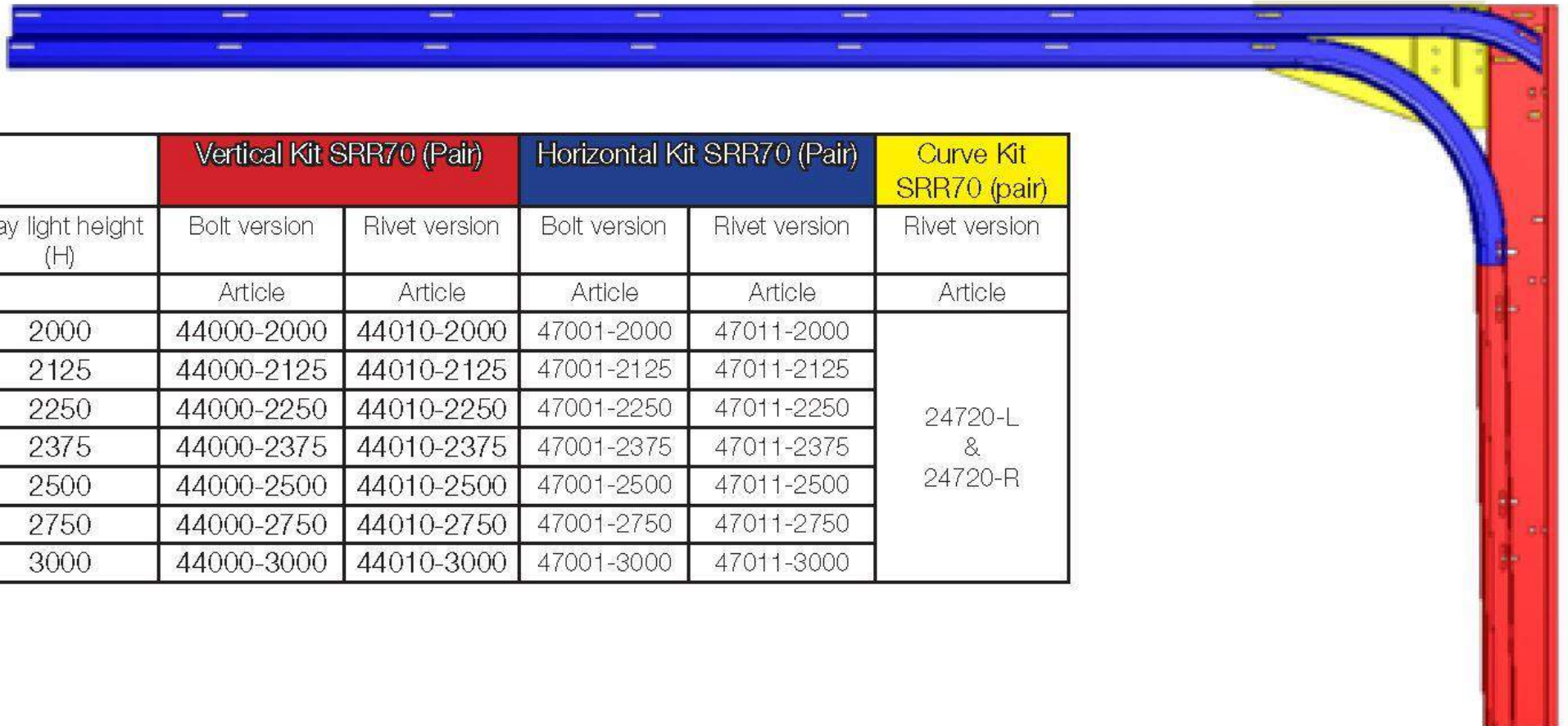
Horizontal kit SRR 70 (pair).



**Curve Kit
SRR 70 (pair)**

**Vertical kit
SRR70 (pair)**

	Vertical Kit SRR70 (Pair)		Horizontal Kit SRR70 (Pair)		Curve Kit SRR70 (pair)
	Bolt version	Rivet version	Bolt version	Rivet version	Rivet version
Day light height (H)	Article	Article	Article	Article	Article
2000	44000-2000	44010-2000	43001-2000	43011-2000	44012
2125	44000-2125	44010-2125	43001-2125	43011-2125	
2250	44000-2250	44010-2250	43001-2250	43011-2250	
2375	44000-2375	44010-2375	43001-2375	43011-2375	
2500	44000-2500	44010-2500	43001-2500	43011-2500	
2750	44000-2750	44010-2750	43001-2750	43011-2750	
3000	44000-3000	44010-3000	43001-3000	43011-3000	



	Vertical Kit SRR70 (Pair)		Horizontal Kit SRR70 (Pair)		Curve Kit SRR70 (pair)
	Bolt version	Rivet version	Bolt version	Rivet version	Rivet version
Day light height (H)	Article	Article	Article	Article	Article
2000	44000-2000	44010-2000	47001-2000	47011-2000	24720-L & 24720-R
2125	44000-2125	44010-2125	47001-2125	47011-2125	
2250	44000-2250	44010-2250	47001-2250	47011-2250	
2375	44000-2375	44010-2375	47001-2375	47011-2375	
2500	44000-2500	44010-2500	47001-2500	47011-2500	
2750	44000-2750	44010-2750	47001-2750	47011-2750	
3000	44000-3000	44010-3000	47001-3000	47011-3000	

ITTr / CE

SRR-70 is approved with next Panel and operator brands:

CE / ITTr

Panel Brands

EPCO
Italpannelli
Metecno
Marcegaglia
Kingspan
Tecsedo SA
Tecnopan
Teckentrup
ThyssenKrupp-Hoesch
Sicom-Breda
Costa
Niemetz

Operator Brands

The logo for SOMMER, featuring the word "SOMMER" in a bold, black, sans-serif font, enclosed within a red rectangular border with rounded corners and a small red tick mark at the bottom right.

+

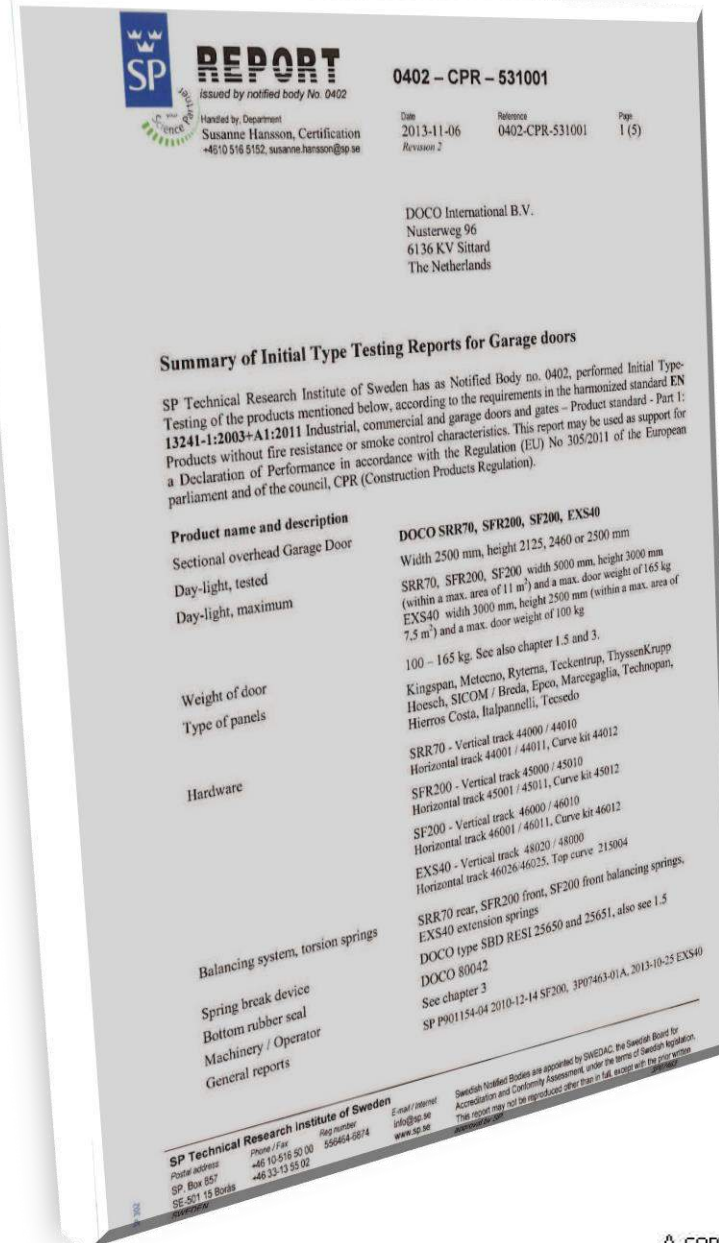
Different
Other brands Operators

CE / ITTr Report:



Notified Body:
Nr.: 0402
SP-Sweden

Report number:
0402-CPR-531001





Thank you for your attention!