

PLUS

Self-bearing cover for an easier inspection from outside

External digital key pad to program, select, set-up functions without operating on control unit

Manual selector with knob for an easy standard functions selection

Operating status led

Battery charge monitoring

Safety device surveillance



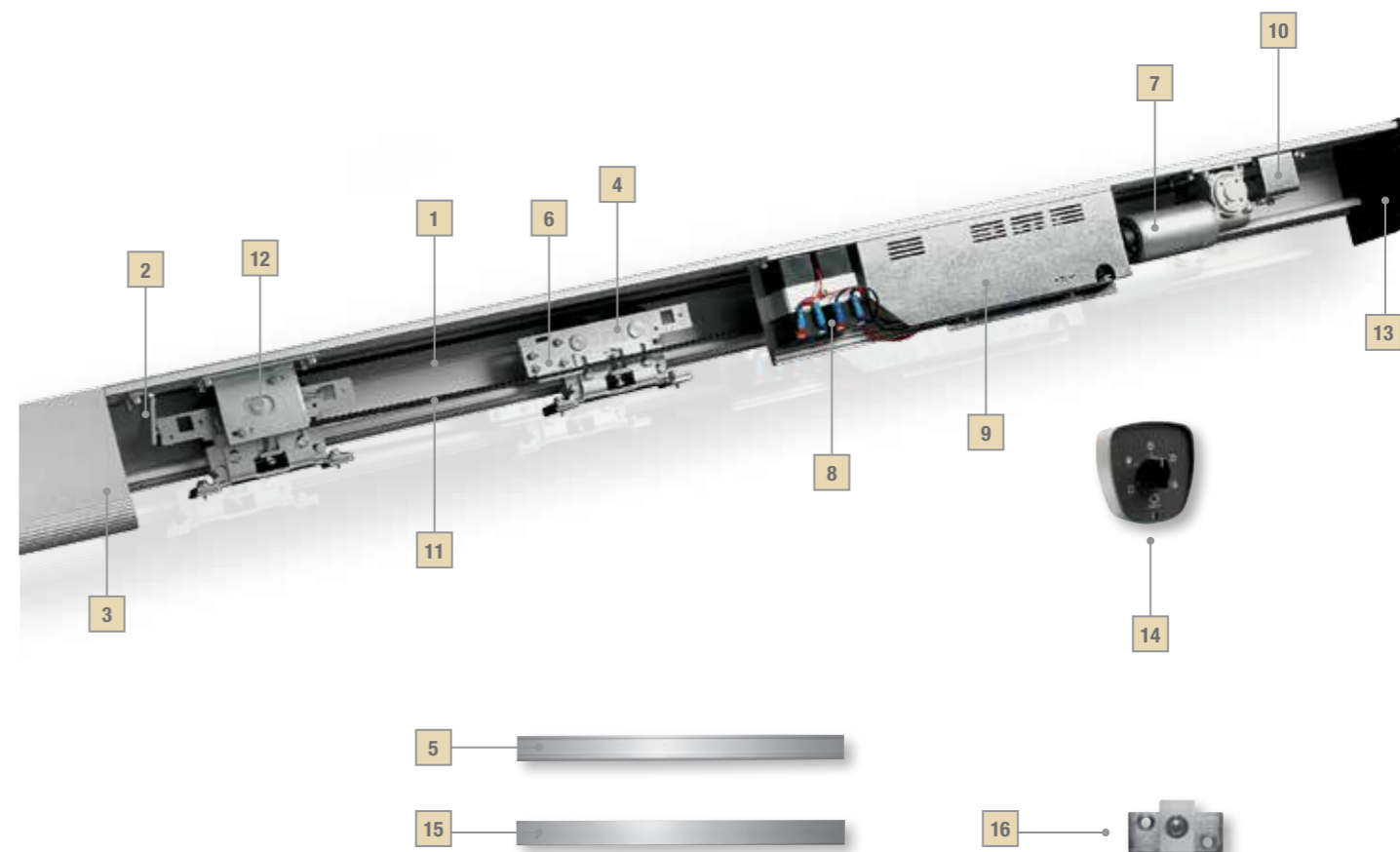
CONTROL UNIT
Equipped with connectors and terminals for the connection of:

- Mains power
- Motor power
- Cyclic counter
- Battery
- Electromechanical stop
- Function selector

NEW Possibility to program the door via digital selector with display EASY

- Characteristics:
- Visualization of door status mode
 - Programming
 - Parameters regulation
 - Diagnostic
 - Parameters control

TECHNICAL DATA	
power supply	230 V 50/60 Hz
consumption max	150 W
accessories power	24 Vdc
battery charger	charge voltage 27,5 Vdc I max 200 mA with control in voltage
electric motor	24 Vdc maximum power 100 W
opening speed	adjustable max 70 cm/s (for leaf)
closing speed	adjustable max 60 cm/s (for leaf)
anti-crushing device	standard
opening pause time	adjustable from 0 to 60 sec.
operating temperature	-20° + 55°
transmission type	toothed belt
protection degree	IP 22
max weight one leaf	160 Kg
max weight two leaves	130 Kg + 130 Kg
use	intensive



PART IDENTIFICATION

- | | |
|--|--|
| 1. 10 MICRON CHEMICAL SILVER OXIDIZED ALUMINIUM BAR AND 500 mm STEP CAPACITY | 8. EMERGENCY BATTERY UNIT |
| 2. MECHANICAL STOP | 9. CONTROL UNIT |
| 3. OXIDIZED ALUMINIUM BOX | 10. ELECTROMECHANICAL STOP |
| 4. CARRIAGE | 11. BELT |
| 5. ADAPTOR | 12. TRANSMISSION PULLEY |
| 6. TRACTION BRACKETS | 13. BOX SIDE PLUG |
| 7. MOTOR WITH ENCODER | 14. DIGITAL SELECTOR WITH MICROPROCESSOR |
| | 15. FLOOR GUIDANCE |
| | 16. PLATE WITH HINGE AND NYLON BLOCK |

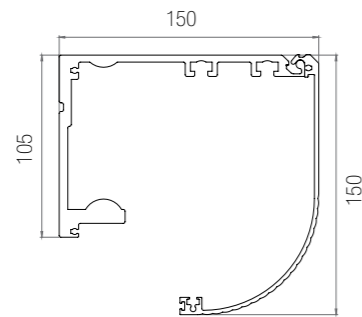
WIND PRO AUTOMATION

Key Doors are a new series of straight sliding hi-tech automatic systems for very intensive use, with high technical content and silent operation. They offer many features mixed with quality and reliability and are easy to install and program. The traction unit and the electronic control panel in one unit reduce the assembly time. Moreover Key Doors offers solutions with appropriate anti-panic break-out devices allowing easy access to escape routes. The complete range offers solutions for all requirements of size, use and weight

TECHNICAL FEATURES

Key Doors are provided with a 24 Vdc motor, a microprocessor electronic control panel and an electronic impact-free device with encoder. Control unit learn door weight and stroke length with a simple self learning procedure. The casing is made of aluminum extrusion and, thanks to a special locating hook system, there is the possibility to "hold open" the profile cover without supporting it. Faults are displayed on the selector screen

AUTOMATION FOR SINGLE LEAF SLIDING DOOR UP TO 160 Kg



ASSEMBLED AUTOMATION INCLUDES:

CODE	DESCRIPTION	
PA151P	Kit for single leaf	
PA000	Anodized beam profile	
PA001	Anodized cover profile	
PA003	Belt	
PA020	Upper adaptor profile	
PA021	Floor guidance and track	
PA023	Electric lock kit set-up for installation with cord release PA011	
PA024	Plate with hinge and nylon block (1 pc)	
PA032	Emergency battery kit 12 V - 1,2A with fixing aluminum support	

ASSEMBLED AUTOMATION AVAILABLE SIZES

CODE	NOMINAL CLEARANCE ROOM: mm	AUTOMATION LENGTH: mm
PA1901P	900	1900
PA2101P	1000	2100
PA2501P	1200	2500
PA2901P	1400	2900
PA3301P	1600	3300
PA3701P	1800	3700
PA4201P	2000	4200

For intermediate size select higher dimension

PA151P / CUSTOM MADE AUTOMATION

KIT FOR SINGLE LEAF INCLUDES:

- Motor with encoder 24 Vdc (1 pc)
- Kit door carriages (1 pc)
- Electronic control unit (1 pc)
- Plug set (2 pcs)
- Manual selector (1 pc)
- Mechanic limit switch (2 pcs)
- Kit accessories and screws for fixing (1 pc)

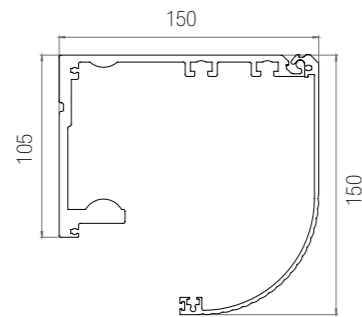


OPTIONAL ELEMENTS

CODE	DESCRIPTION	
PA000	Anodized beam profile	
PA001	Anodized cover profile	
PA003	Belt	
PA020	Upper adaptor profile	
PA021	Floor guidance and track	
PA023	Electric lock kit set-up for installation with cord release PA011	
PA024	Plate with hinge and nylon block (1 pc)	
PA032	Emergency battery kit 12 V - 1,2A with fixing aluminum support	

Accessories for control and security on page 100

AUTOMATION FOR DOUBLE LEAF SLIDING DOOR UP TO 130+130 Kg



ASSEMBLED AUTOMATION INCLUDES:

CODE	DESCRIPTION	
PA152P	Kit for double leaf	
PA000	Anodized beam profile	
PA001	Anodized cover profile	
PA003	Belt	
PA020	Upper adaptor profile	
PA021	Floor guidance and track	
PA023	Electric lock kit set-up for installation with cord release PA011	
PA024	Plate with hinge and nylon block (2 pcs)	
PA032	Emergency battery kit 12 V - 1,2A with fixing aluminum support	

ASSEMBLED AUTOMATION AVAILABLE SIZES

CODE	NOMINAL CLEARANCE ROOM: mm	AUTOMATION LENGTH: mm
PA1902P	450 + 450	1900
PA2102P	500 + 500	2100
PA2502P	600 + 600	2500
PA2902P	700 + 700	2900
PA3302P	800 + 800	3300
PA3702P	900 + 900	3700
PA4202P	1000 + 1000	4200

For intermediate size select higher dimension

PA152P / CUSTOM MADE AUTOMATION

KIT FOR DOUBLE LEAF INCLUDES:

- Motor with encoder 24 Vdc (1 pc)
- Kit door carriages (2 pcs)
- Electronic control unit (1 pc)
- Plug set (2 pcs)
- Manual selector (1 pc)
- Mechanic limit switch (2 pcs)
- Kit accessories and screws for fixing (1 pc)



OPTIONAL ELEMENTS

CODE	DESCRIPTION	
PA000	Anodized beam profile	
PA001	Anodized cover profile	
PA003	Belt	
PA020	Upper adaptor profile	
PA021	Floor guidance and track	
PA023	Plate with hinge and nylon block (2 pcs)	
PA024	Emergency battery kit 12 V - 1,2A with fixing aluminum support	
PA032	Electric lock kit set-up for installation with cord release PA011	

Accessories for control and security on page 100