

# SHARP 60BM

## ELECTROMECHANICAL GEAR MOTOR FOR ROLLING SHUTTERS, UP TO 320 Kg, 230 Vac

### PLUS

Semi-automatic limit switch,  
easy and intuitive

Excellent performance thanks  
to noiseless adaptor

Bi-motor version

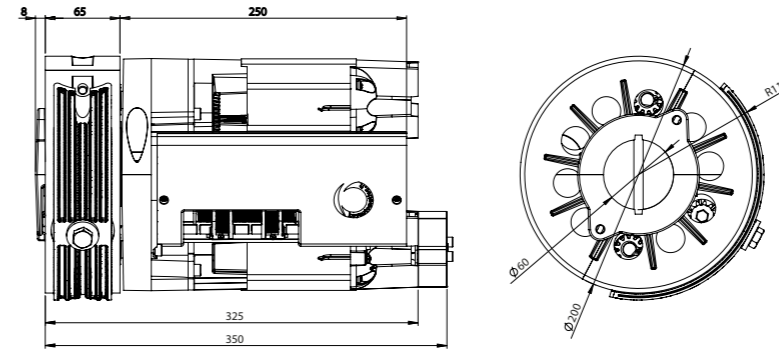
Electromagnetic brake version

Neat design with single robust  
gearmotor

Good reversibility in case of  
power failure

Low maintenance required with  
good resistance to wear

Fast, working continuously  
for more than 7 minutes with  
230Vac voltage. Performance  
above market standards



SW12200  
SW12200EF

CODE	DESCRIPTION	PCS PALLET
SW12200	Reversible bi-motor for ø 42-48-60 mm shaft, rim ø 200-220 mm, 320 Kg	45
SW12200EF	Irreversible bi-motor for ø 42-48-60 mm shaft, rim ø 200-220 mm, 320 Kg. With electro-brake	45

TECHNICAL DATA		SW12200 - SW12200EF
control unit		CT-1EB / CT-1EBR
power	Vac	230
motor consumption	W	1200
strength	A	5,6
torque	Nm	325
working cycle	%	30
speed	rpm	10
working temperature	°C	-20° + 55°
max gear stroke	m	6
thermoprotection	°C	170°
capacitor	µF	35
weight	kg	13.5 - 14.5



Limit switch with fast regulation



Solid and robust design



High-performing motor

## ACCESSORIES



**ADAT-SW42 (couple)**  
Shaft adapter Ø 42



**CT-1EB / CT-1EBR**  
230 Vac control unit with  
integrated receiver, fix code or  
rolling code. In box



**LUMY-230**  
230 Vac flashing light,  
25 W, with antenna



**SUB-44WR/SUB-44W**  
4 channels, water resistant  
transmitter 433.92 MHz,  
rolling code or fix code



**TS**  
Warning board



**BMET**  
External metallic box for  
motor release, including  
action button



**FT22**  
Pair of photocells for external  
use and flush-mounting  
(80x30x28 mm)



**SEL-M**  
Outdoor key selector



**SW-EF**  
Electro-brake with release